

Product Information Crawler Excavator

R 920 Compact

Litronic®



Generation

6.1

Engine

110 kW / 150 HP

Stage V

Operating Weight

18,750 – 21,900 kg

Bucket Capacity

0.30 – 0.95 m³

LIEBHERR

Experience the Progress

R 920 Compact

Maintenance

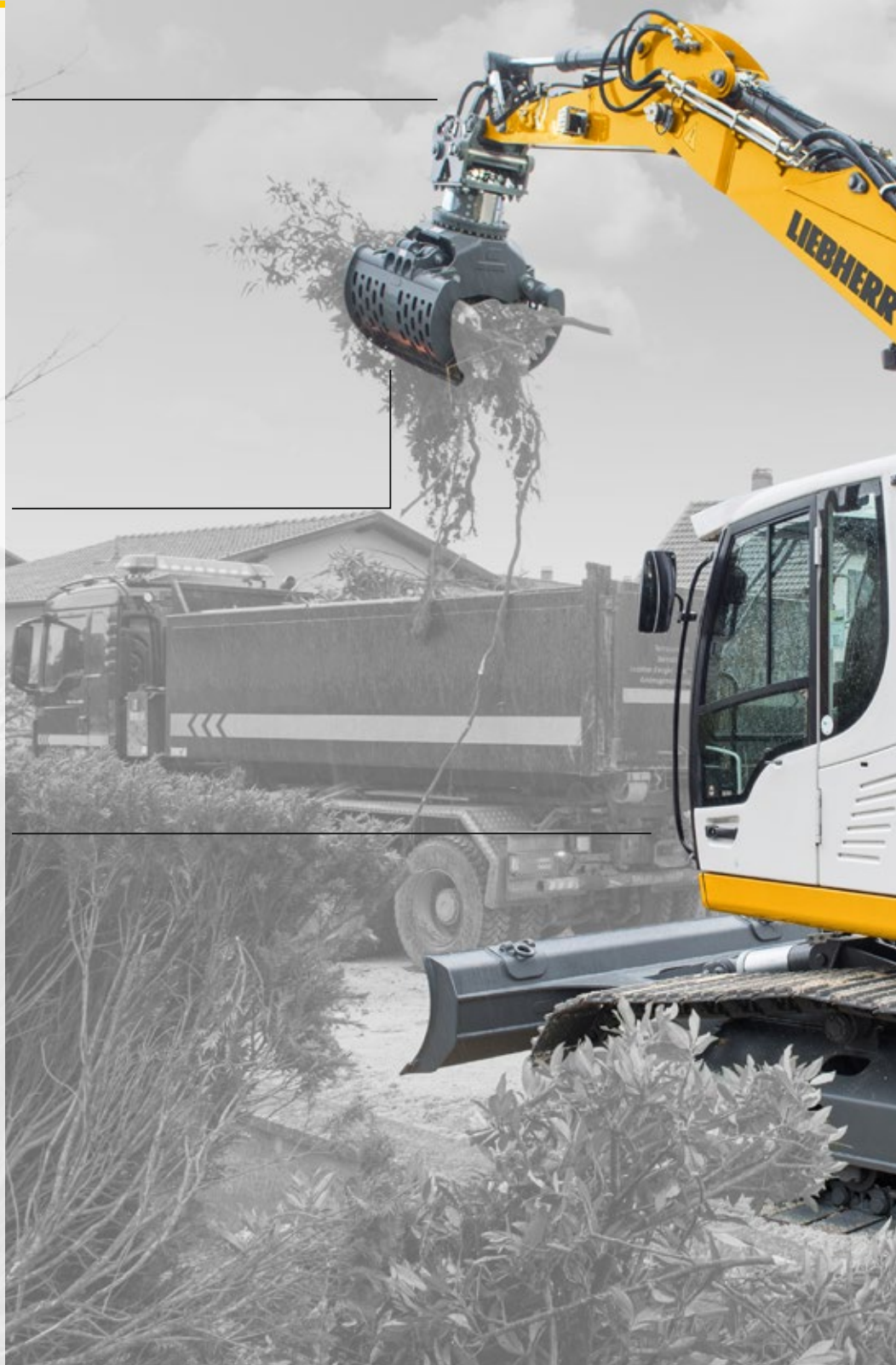
- Servicing concept, with service points accessible from ground level
- Engine oil level and filling nozzle accessible from ground level
- Standard shut-off valve on hydraulic tank outlet

Equipment

- Large choice of types and sizes of equipment
- Longer lifespan of components and higher productivity thanks to automatic centralised lubrication system
- Safety check valves for hoist and stick cylinders

Safety

- Panoramic visibility with no obstructions and camera on the rear and the right side equipment for enhanced safety
- Lifiable console for easy and safe access to cab
- ROPS-certified cab structure: rollover protection
- Emergency exit via the rear cab window
- Right window and windshield in laminated and tinted glass





Comfort

- Spacious, air-conditioned work space
- Airsprung seat with vertical and horizontal suspension
- Easy-to-use high resolution 7" colour touchscreen
- Completely retractable front cab window

Compactness

- Short tail swing radius of 1.85 m for increased safety and flexibility on work sites
- The perfect machine for narrow sites – ideal for urban applications and on motorways

Engine

- New engine that conforms with the Stage V European exhaust emissions standard
- Automatic idle-stop

Undercarriage

- Robust, reliable X-frame undercarriage, easy to secure thanks to its integrated eyelets
- Easy maintenance
- Several combinations of undercarriage and blades / support blades available
- Optional rubber track pads for urban application
- Extra storage as an option
- Maintenance-free travel gear and track rollers with lifetime lubrication

Technical Data



Engine

Rating per ISO 9249	110 kW (150 HP) at 1,800 RPM
Torque	682 Nm at 1,400 RPM
Model	Liebherr D924 A7-05
Type	4 cylinder in-line
Bore	104 mm
Stroke	132 mm
Displacement	4.5 l
Engine operation	4-stroke diesel Common-Rail Turbo-charged and after-cooler
Exhaust gas treatment	Stage V DOC + DPF + SCR Passive regeneration by thermo management
Cooling system	Water-cooled and integrated motor oil cooler
Air cleaner	Dry-type air cleaner with pre-cleaner, primary and safety elements
Fuel tank	250 l
Urea tank	46 l
Electrical system	
Voltage	24 V
Batteries	2 x 135 Ah/ 12 V
Alternator	Three-phase current 28 V/140 A
Engine idling	Sensor controlled



Hydraulic Controls

Power distribution	Via control valves with integrated safety valves, simultaneous and independent actuation of undercarriage, swing drive and equipment
Servo circuit	
Equipment and swing	Proportional via joystick levers
Travel	– Proportional control via foot pedals or removable levers – Speed pre-selection
Additional functions	Proportional regulation via foot pedals or mini-joystick



Hydraulic System

Hydraulic pump	Liebherr, variable displacement, swashplate pump
Max. flow	300 l/min.
Max. pressure	350 bar
Hydraulic pump regulation and control	Liebherr-Synchron-Comfort-system (LSC) with electronic engine speed sensing regulation, pressure and flow compensation, torque controlled swing drive priority
Hydraulic tank	130 l
Hydraulic system	max. 300 l
Hydraulic oil filter	1 main return filter with integrated partial micro filtration (5 µm)
Cooling system	Compact cooling system comprising cooling unit for water, hydraulic oil and charge air with stepless, thermostatically controlled fan
MODE selection	Adjustment of engine and hydraulic performance via a mode pre-selector to match application, e.g. for especially economical and environmentally friendly operation or for maximum digging performance and heavy-duty jobs
Engine speed and performance setting	Stepless adjustment of engine output and hydraulic power via engine speed



Swing Drive

Drive	Liebherr swashplate motor with integrated brake valve and torque control
Transmission	Liebherr compact planetary reduction gears
Swing ring	Liebherr, sealed race ball bearing swing ring, internal teeth
Swing speed	0 – 10.0 RPM stepless
Swing torque	51 kNm
Holding brake	Wet multi-disc (spring applied, pressure released)



Operator's Cab

Cab	ROPS safety cab structure (roll-over protection system according to ISO 12117-2:2008) with windscreen, totally or partially retractable (only upper part), under cab roof, work headlights integrated in the ceiling, a door with a sliding window (can be opened on both sides), large stowing box and several stowing possibilities, shock-absorbing suspension, laminated right hand side and roof windows, all windows tinted, separate extensible window shades for the sun-roof window and windscreen, cigarette lighter and 24 V plug, 12 V plug, cup holder
Operator's seat	Liebherr-Comfort seat, airsprung with automatic weight adjustment, vertical and longitudinal seat damping including consoles and joysticks. Seat and armrests adjustable separately and in combination (adjustable in width, height and inclination), seat heating as standard
Arm consoles	Oscillating consoles with seat, tiltable console left
Operation and displays	Large high-resolution operating unit, intuitive, colour display with touchscreen, video-compatible, numerous setting, control and monitoring options, e.g. air conditioning control, fuel consumption, machine and attachment parameters
Air-conditioning	Automatic air-conditioning, recirculated air function, fast de-icing and demisting at the press of a button, air vents can be operated via a menu. Recirculated air and fresh air filters can be easily replaced and are accessible from the outside. Heating-cooling unit, designed for extreme outside temperatures, sensors for solar radiation, inside and outside temperatures The air conditioning system contains fluorinated greenhouse gases
Refrigerant	R134a
Global warming potential	1,430
Quantity at 25 °C*	1,260 g
CO ₂ equivalent	1.80 t
Vibration emission**	
Hand/arm vibrations	< 2.5 m/s ² , according with ISO 5349-1:2001
Whole-body vibrations	< 0.5 m/s ²
Measuring inaccuracy	According with standard EN 12096:1997
Noise emission	
ISO 6396	L _{pA} (inside cab) = 68 dB(A)
2000/14/EC	L _{WA} (surround noise) = 99 dB(A)



Undercarriage

Versions	
NLC	Gauge 2,000 mm
LC	Standard gauge 2,250 mm
Drive	Liebherr swashplate motor with brake valves on both sides
Transmission	Liebherr compact planetary reduction gear
Maximum travel speed	Low range 2.6 km/h High range 5.7 km/h
Drawbar pull on crawler	192 kN
Track components	B60, maintenance-free
Track rollers/ Carrier rollers	7/2
Tracks	Sealed and greased
Track pads	Triple grouser
Holding brake	Wet multi-disc (spring applied, pressure released)
Brake valves	Integrated into travel motor
Lashing eyes	Integrated



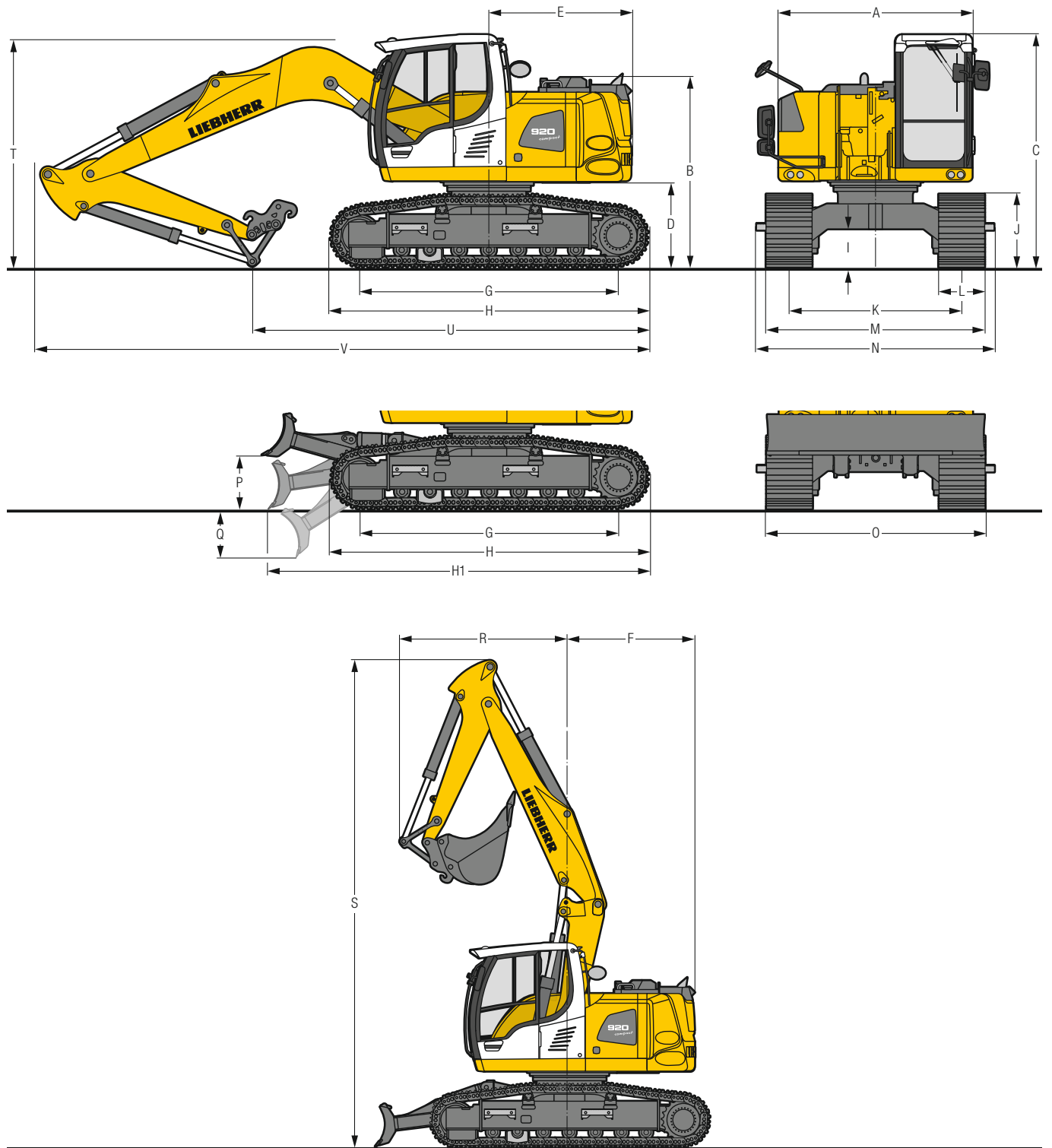
Equipment

Hydraulic cylinders	Liebherr cylinders with seal and guidance systems
Bearings	Sealed, low maintenance
Lubrication	Liebherr central lubrication system

* Valid for standard machine without operator's cab elevation and without height adjustable cab

** For the risk assessment according to 2002/44/EC see ISO/TR 25398:2006

Dimensions



	NLC			mm			NLC with blade			mm			LC			mm			LC with blade			mm			
A	Uppercarriage width				2,525						2,525						2,525						2,525		
B	Uppercarriage height				2,470						2,470						2,470						2,470		
C	Cab height				3,035						3,035						3,035						3,035		
D	Counterweight ground clearance				1,100						1,100						1,100						1,100		
E	Rear-end length				1,850						1,850						1,850						1,850		
F	Tail swing radius				1,850						1,850						1,850						1,850		
G	Wheelbase				3,370						3,370						3,370						3,370		
H	Undercarriage length				4,150						4,150						4,150						4,150		
H1	Undercarriage length with blade				–						5,110						–						5,040		
I	Undercarriage ground clearance				490						490						490						490		
J	Track height				955						955						955						955		
K	Track gauge				2,000						2,000						2,250						2,250		
L	Track pad width		500	600	750		500	600	750		500	600	750	900		500	600	750	900		500	600	750	900	
M	Width over tracks		2,500	2,600	2,750		2,500	2,600	2,750		2,750	2,850	3,000	3,150		2,750	2,850	3,000	3,150		2,750	2,850	3,000	3,150	
N	Width over steps		2,490	2,660*	2,660*		2,490	2,660*	2,660*		2,800	2,800	3,000*	3,100*		2,800	2,800	3,000*	3,100*		2,800	2,800	3,000*	3,100*	
O	Blade width				–						2,500			2,600			2,660*						–		
P	Max. blade height				–						685						–						685		
Q	Max. blade depth				–						635						–						635		

* width with removable steps

	Stick length m	Mono boom 5.00 m with quick coupler mm			Two-piece boom 5.30 m with quick coupler mm			Mono boom offset 4.90 m with quick coupler mm				Two-piece boom offset 5.00 m with quick coupler mm			
R	Front swing radius	2.25	2,550		2,650		2,750	2,750	3,100				2,750	3,100	
		2.45	2,400		2,700		2,450	2,850					2,850		
		2.65	2,450		2,750		2,300	2,750					2,750		
S	Height with boom up	2.25	7,300		7,550		7,250	7,300				7,300			
		2.45	3,000		3,000		2,800	2,950				2,950			
		2.65	3,050		3,050		2,850	3,050				3,050			
T	Boom height	2.25	3,150		3,100		2,900	3,100				3,100			
		2.45	5,150		5,700		4,950	5,400				5,400			
		2.65	5,050		5,600		4,800	5,300				5,300			
U	Length on ground	2.25	4,850		5,500		4,650	5,200				5,200			
		2.45	8,100		8,300		7,950	8,100				8,100			
		2.65	8,100		8,300		7,950	8,100				8,100			
V	Overall length	2.25	8,100		8,300		7,950	8,100				8,100			
		2.45	8,100		8,300		7,950	8,100				8,100			
		2.65	8,100		8,300		7,950	8,100				8,100			
	Bucket		0.80 m ³		0.80 m ³		0.80 m ³		0.80 m ³				0.80 m ³		

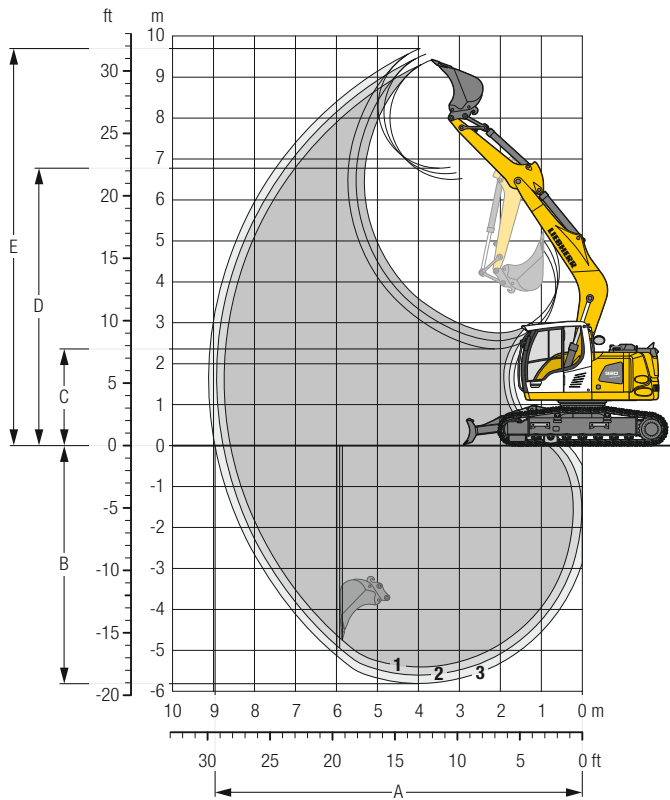
Transport Dimensions

removable elements disassembled

	Undercarriage / Stick m	Mono boom 5.00 m mm			Two-piece boom 5.30 m mm			Mono boom offset 4.90 m mm				Two-piece boom offset 5.00 m mm			
		500	600	750	500	600	750	500	600	750	900	500	600	750	900
Pad width		500	600	750	500	600	750	500	600	750	900	500	600	750	900
Transport width	NLC	2,525	2,600	2,750	2,525	2,600	2,750	2,525	2,600	2,750	–	2,525	2,600	2,750	–
	LC	2,750	2,850	3,000	2,750	2,850	3,000	2,750	2,850	3,000	3,150	2,750	2,850	3,000	3,150
Transport length	2.25	8,100			8,300			7,950				8,100			
	2.45	8,100			8,300			7,950				8,100			
	2.65	8,100			8,300			7,950				8,100			
Transport height	2.25	3,035			3,035			3,035				3,035			
	2.45	3,050			3,050			3,050				3,050			
	2.65	3,150			3,150			3,150				3,150			

Backhoe Bucket

with Mono Boom 5.00 m and Counterweight 3.9 t



Digging Envelope

with quick coupler		1	2	3
Stick length	m	2.25	2.45	2.65
A Max. reach at ground level	m	8.55	8.75	8.95
B Max. digging depth	m	5.40	5.60	5.80
C Min. dumping height	m	2.75	2.55	2.35
D Max. dumping height	m	6.50	6.65	6.80
E Max. cutting height	m	9.40	9.55	9.70

Forces

without quick coupler		1	2	3
Stick digging force (ISO 6015)	kN	83	78	74
Bucket digging force (ISO 6015)	kN	98	98	98
Stick digging force (SAE J1179)	kN	79	75	71
Bucket digging force (SAE J1179)	kN	89	89	89

Operating Weight and Ground Pressure

The operating weight includes the basic machine with counterweight 3.9 t, mono boom 5.00 m, stick 2.65 m, quick coupler SWA 33 and bucket 0.80 m³ (480 kg).

Undercarriage		NLC			NLC with blade		
Pad width	mm	500	600	750	500	600	750
Weight	kg	18,750	19,000	19,400	20,250	20,500	20,900
Ground pressure	kg/cm ²	0.52	0.44	0.36	0.56	0.47	0.39

Undercarriage		LC			LC with blade		
Pad width	mm	500	600	750	500	600	750
Weight	kg	18,800	19,050	19,450	20,400	20,650	21,050
Ground pressure	kg/cm ²	0.52	0.44	0.36	0.56	0.47	0.39

Buckets Machine stability per ISO 10567* (75% of tipping capacity)

	Cutting width mm	Capacity ISO 7451 m ³	Weight ³⁾ kg	NLC-Undercarriage (with track pads 500 mm)						NLC-Undercarriage with blade (with track pads 500 mm)						LC-Undercarriage (with track pads 600 mm)						LC-Undercarriage with blade (with track pads 600 mm)					
				Stick length (m)						Stick length (m)						Stick length (m)						Stick length (m)					
				without quick coupler			with quick coupler			without quick coupler			with quick coupler			without quick coupler			with quick coupler			without quick coupler			with quick coupler		
	2.25	2.45	2.65	2.25	2.45	2.65	2.25	2.45	2.65	2.25	2.45	2.65	2.25	2.45	2.65	2.25	2.45	2.65	2.25	2.45	2.65	2.25	2.45	2.65			
STD ¹⁾	500	0.30	290	▲	▲	▲	▲	▲	▲	▲	▲	▲	▲	▲	▲	▲	▲	▲	▲	▲	▲	▲	▲	▲	▲		
	650	0.42	350	▲	▲	▲	▲	▲	▲	▲	▲	▲	▲	▲	▲	▲	▲	▲	▲	▲	▲	▲	▲	▲	▲		
	850	0.60	400	▲	▲	▲	▲	▲	▲	▲	▲	▲	▲	▲	▲	▲	▲	▲	▲	▲	▲	▲	▲	▲	▲		
	1,050	0.80	480	▲	▲	▲	▲	▲	▲	▲	▲	▲	▲	▲	▲	▲	▲	▲	▲	▲	▲	▲	▲	▲	▲		
	1,250	0.95	525	▲	■	■	▲	■	■	▲	▲	▲	▲	▲	▲	▲	▲	▲	▲	▲	▲	▲	▲	▲	▲		
HD ²⁾	500	0.30	320	▲	▲	▲	▲	▲	▲	▲	▲	▲	▲	▲	▲	▲	▲	▲	▲	▲	▲	▲	▲	▲	▲		
	650	0.42	390	▲	▲	▲	▲	▲	▲	▲	▲	▲	▲	▲	▲	▲	▲	▲	▲	▲	▲	▲	▲	▲	▲		
	850	0.60	450	▲	▲	▲	▲	▲	▲	▲	▲	▲	▲	▲	▲	▲	▲	▲	▲	▲	▲	▲	▲	▲	▲		
	1,050	0.80	540	▲	▲	▲	▲	▲	▲	▲	▲	▲	▲	▲	▲	▲	▲	▲	▲	▲	▲	▲	▲	▲	▲		
	1,250	0.95	595	▲	■	■	■	■	▲	▲	▲	▲	▲	▲	▲	▲	▲	▲	▲	▲	▲	▲	▲	▲	▲		

* Indicated loads are based on ISO 10567, at maximum reach, and may be swung 360° on firm and even ground

¹⁾ Standard bucket with teeth Uni 35-3

²⁾ HD bucket with teeth Uni 35-3

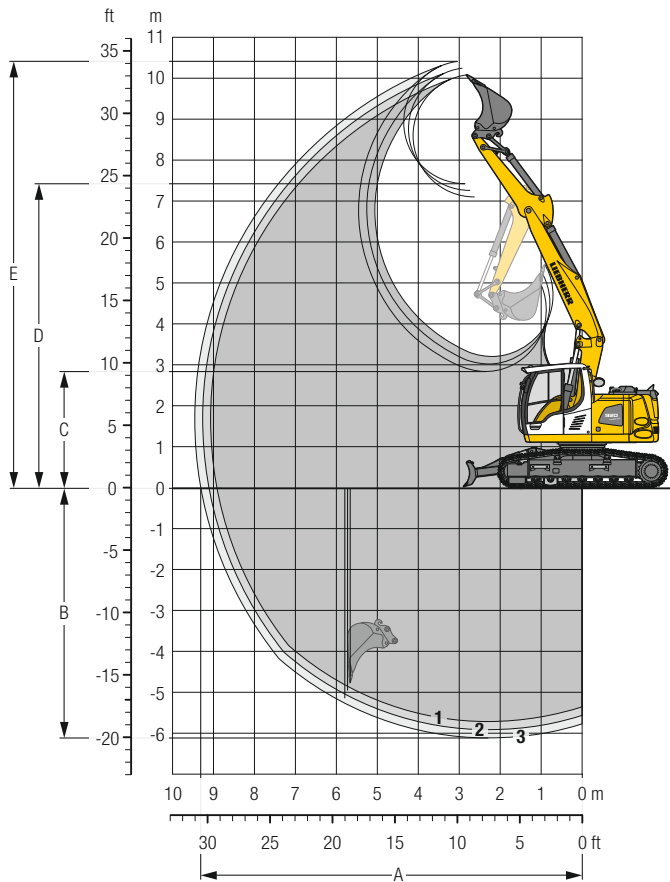
³⁾ Bucket for direct mounting or mounting to quick coupler

Other buckets available upon request

Max. material weight ▲ = ≤ 2.0 t/m³, ■ = ≤ 1.8 t/m³, ▲ = ≤ 1.65 t/m³

Backhoe Bucket

with Two-Piece Boom 5.30 m and Counterweight 3.9 t



Digging Envelope

with quick coupler		1	2	3
Stick length	m	2.25	2.45	2.65
A Max. reach at ground level	m	8.90	9.10	9.30
B Max. digging depth	m	5.70	5.90	6.10
C Min. dumping height	m	3.20	3.00	2.85
D Max. dumping height	m	7.10	7.25	7.40
E Max. cutting height	m	10.10	10.25	10.40

Forces

without quick coupler		1	2	3
Stick digging force (ISO 6015)	kN	83	78	74
Bucket digging force (ISO 6015)	kN	98	98	98
Stick digging force (SAE J1179)	kN	79	75	71
Bucket digging force (SAE J1179)	kN	89	89	89

Operating Weight and Ground Pressure

The operating weight includes the basic machine with counterweight 3.9 t, two-piece boom 5.30 m, stick 2.65 m, quick coupler SWA 33 and bucket 0.80 m³ (480 kg).

Undercarriage		NLC			NLC with blade		
Pad width	mm	500	600	750	500	600	750
Weight	kg	19,050	19,300	19,700	20,550	20,800	21,200
Ground pressure	kg/cm ²	0.52	0.44	0.36	0.56	0.47	0.39

Undercarriage		LC			LC with blade		
Pad width	mm	500	600	750	500	600	750
Weight	kg	19,100	19,350	19,750	20,700	20,950	21,350
Ground pressure	kg/cm ²	0.52	0.44	0.36	0.56	0.47	0.39

Buckets Machine stability per ISO 10567* (75% of tipping capacity)

	Cutting width mm	Capacity ISO 7451 m ³	Weight ³⁾ kg	NLC-Undercarriage (with track pads 500 mm)						NLC-Undercarriage with blade (with track pads 500 mm)						LC-Undercarriage (with track pads 600 mm)						LC-Undercarriage with blade (with track pads 600 mm)					
				Stick length (m)						Stick length (m)						Stick length (m)						Stick length (m)					
				without quick coupler			with quick coupler			without quick coupler			with quick coupler			without quick coupler			with quick coupler			without quick coupler			with quick coupler		
	2.25	2.45	2.65	2.25	2.45	2.65	2.25	2.45	2.65	2.25	2.45	2.65	2.25	2.45	2.65	2.25	2.45	2.65	2.25	2.45	2.65	2.25	2.45	2.65			
STD ¹⁾	500	0.30	290	▲	▲	▲	▲	▲	▲	▲	▲	▲	▲	▲	▲	▲	▲	▲	▲	▲	▲	▲	▲	▲	▲		
	650	0.42	350	▲	▲	▲	▲	▲	▲	▲	▲	▲	▲	▲	▲	▲	▲	▲	▲	▲	▲	▲	▲	▲	▲		
	850	0.60	400	▲	▲	▲	▲	▲	▲	▲	▲	▲	▲	▲	▲	▲	▲	▲	▲	▲	▲	▲	▲	▲	▲		
	1,050	0.80	480	▲	▲	▲	▲	▲	■	▲	▲	▲	▲	▲	▲	▲	▲	▲	▲	▲	▲	▲	▲	▲	▲		
	1,250	0.95	525	■	▲	▲	■	▲	■	▲	▲	■	▲	■	▲	▲	▲	▲	■	▲	▲	▲	▲	▲	▲		
HD ²⁾	500	0.30	320	▲	▲	▲	▲	▲	▲	▲	▲	▲	▲	▲	▲	▲	▲	▲	▲	▲	▲	▲	▲	▲	▲		
	650	0.42	390	▲	▲	▲	▲	▲	▲	▲	▲	▲	▲	▲	▲	▲	▲	▲	▲	▲	▲	▲	▲	▲	▲		
	850	0.60	450	▲	▲	▲	▲	▲	▲	▲	▲	▲	▲	▲	▲	▲	▲	▲	▲	▲	▲	▲	▲	▲	▲		
	1,050	0.80	540	▲	▲	■	▲	▲	■	▲	▲	▲	▲	▲	▲	▲	▲	▲	▲	▲	▲	▲	▲	▲	▲		
	1,250	0.95	595	■	▲	■	▲	▲	■	▲	■	▲	■	▲	■	▲	▲	■	▲	▲	▲	▲	▲	▲	▲		

* Indicated loads are based on ISO 10567, at maximum reach, and may be swung 360° on firm and even ground

¹⁾ Standard bucket with teeth Uni 35-3

²⁾ HD bucket with teeth Uni 35-3

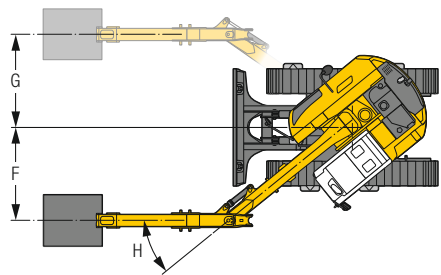
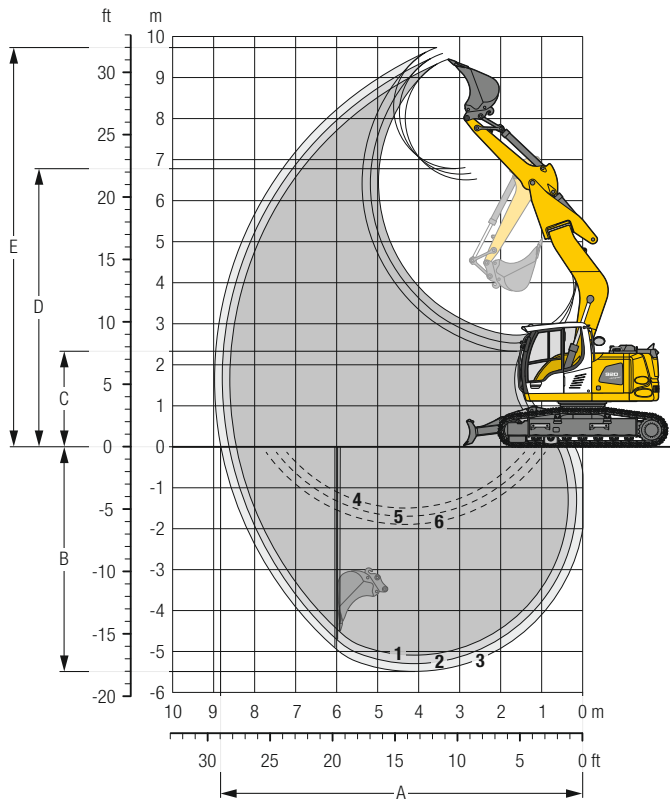
³⁾ Bucket for direct mounting or mounting to quick coupler

Other buckets available upon request

Max. material weight ▲ = ≤ 2.0 t/m³, ■ = ≤ 1.8 t/m³, ▲ = ≤ 1.65 t/m³, ■ = ≤ 1.5 t/m³

Backhoe Bucket

with Mono Boom Offset 4.90 m and Counterweight 3.9 t



Digging Envelope

with quick coupler		1	2	3
Stick length	m	2.25	2.45	2.65
A Max. reach at ground level	m	8.60	8.80	9.00
B Max. digging depth	m	5.10	5.30	5.50
C Min. dumping height	m	2.70	2.50	2.30
D Max. dumping height	m	6.50	6.65	6.80
E Max. cutting height	m	9.45	9.60	9.75
F Max. offset right	m	2.27		
G Max. offset left	m	2.27		
H Max. offset angle	°	39.1		

- 1 with stick 2.25 m
- 2 with stick 2.45 m
- 3 with stick 2.65 m
- with set straight boom
- 4 with stick 2.25 m
- 5 with stick 2.45 m
- 6 with stick 2.65 m
- at max. attachment offset with vertical ditch walls

Forces

without quick coupler		1	2	3
Stick digging force (ISO 6015)	kN	83	78	74
Bucket digging force (ISO 6015)	kN	98	98	98
Stick digging force (SAE J1179)	kN	79	75	71
Bucket digging force (SAE J1179)	kN	89	89	89

Operating Weight and Ground Pressure

The operating weight includes the basic machine with counterweight 3.9 t, mono boom offset 4.90 m, stick 2.65 m, quick coupler SWA 33 and bucket 0.80 m³ (480 kg).

Undercarriage		NLC			NLC with blade		
Pad width	mm	500	600	750	500	600	750
Weight	kg	19,150	19,400	19,800	20,650	20,900	21,300
Ground pressure	kg/cm ²	0.53	0.45	0.36	0.57	0.48	0.39

Undercarriage		LC			LC with blade		
Pad width	mm	500	600	750	500	600	750
Weight	kg	19,200	19,450	19,850	20,800	21,050	21,450
Ground pressure	kg/cm ²	0.53	0.45	0.36	0.57	0.48	0.39

Buckets Machine stability per ISO 10567* (75% of tipping capacity)

	Cutting width mm	Capacity ISO 7451 m ³	Weight ³⁾ kg	NLC-Undercarriage (with track pads 500 mm)						NLC-Undercarriage with blade (with track pads 500 mm)						LC-Undercarriage (with track pads 600 mm)						LC-Undercarriage with blade (with track pads 600 mm)					
				Stick length (m)						Stick length (m)						Stick length (m)						Stick length (m)					
				without quick coupler			with quick coupler			without quick coupler			with quick coupler			without quick coupler			with quick coupler			without quick coupler			with quick coupler		
	2.25	2.45	2.65	2.25	2.45	2.65	2.25	2.45	2.65	2.25	2.45	2.65	2.25	2.45	2.65	2.25	2.45	2.65	2.25	2.45	2.65	2.25	2.45	2.65			
STD ¹⁾	500	0.30	290	▲	▲	▲	▲	▲	▲	▲	▲	▲	▲	▲	▲	▲	▲	▲	▲	▲	▲	▲	▲	▲	▲		
	650	0.42	350	▲	▲	▲	▲	▲	▲	▲	▲	▲	▲	▲	▲	▲	▲	▲	▲	▲	▲	▲	▲	▲	▲		
	850	0.60	400	▲	▲	▲	▲	▲	▲	▲	▲	▲	▲	▲	▲	▲	▲	▲	▲	▲	▲	▲	▲	▲	▲		
	1,050	0.80	480	▲	▲	▲	▲	▲	▲	▲	▲	▲	▲	▲	▲	▲	▲	▲	▲	▲	▲	▲	▲	▲	▲		
	1,250	0.95	525	▲	■	▲	■	■	▲	▲	▲	▲	▲	▲	■	▲	▲	▲	▲	▲	▲	▲	▲	▲	▲		
HD ²⁾	500	0.30	320	▲	▲	▲	▲	▲	▲	▲	▲	▲	▲	▲	▲	▲	▲	▲	▲	▲	▲	▲	▲	▲	▲		
	650	0.42	390	▲	▲	▲	▲	▲	▲	▲	▲	▲	▲	▲	▲	▲	▲	▲	▲	▲	▲	▲	▲	▲	▲		
	850	0.60	450	▲	▲	▲	▲	▲	▲	▲	▲	▲	▲	▲	▲	▲	▲	▲	▲	▲	▲	▲	▲	▲	▲		
	1,050	0.80	540	▲	▲	▲	▲	▲	▲	▲	▲	▲	▲	▲	▲	▲	▲	▲	▲	▲	▲	▲	▲	▲	▲		
	1,250	0.95	595	■	■	▲	■	■	▲	▲	▲	■	▲	▲	■	▲	▲	▲	▲	▲	▲	▲	▲	▲	▲		

* Indicated loads are based on ISO 10567, at maximum reach, and may be swung 360° on firm and even ground

¹⁾ Standard bucket with teeth Uni 35-3

²⁾ HD bucket with teeth Uni 35-3

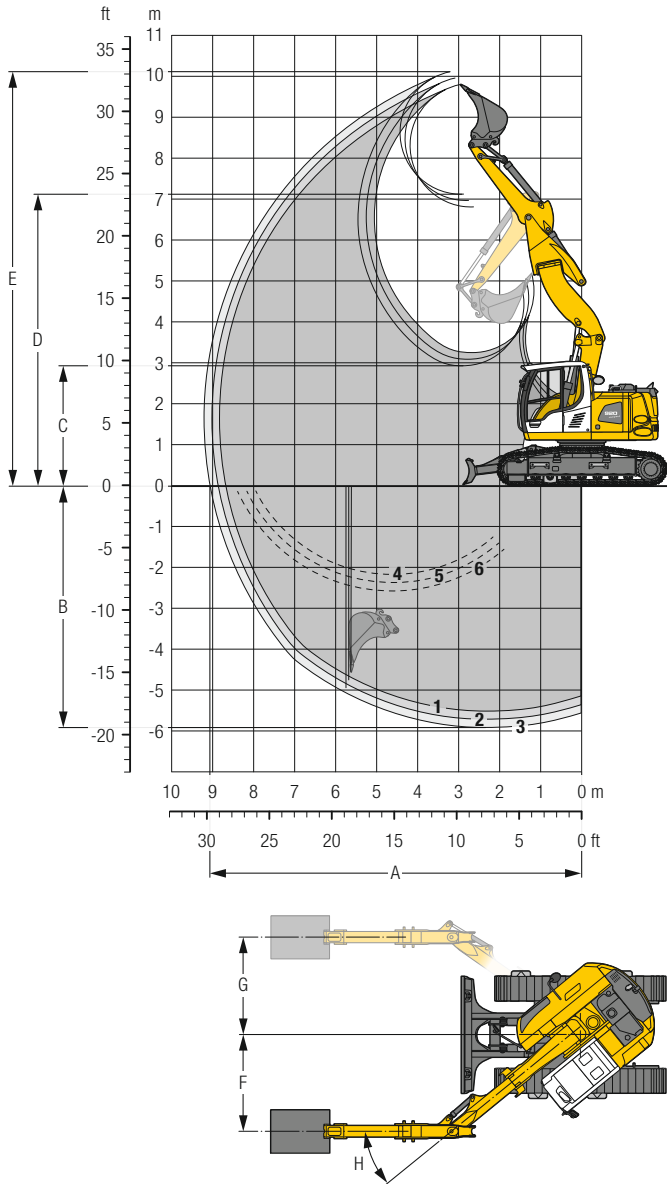
³⁾ Bucket for direct mounting or mounting to quick coupler

Other buckets available upon request

Max. material weight ▲ = ≤ 2.0 t/m³, ■ = ≤ 1.8 t/m³, ▲ = ≤ 1.65 t/m³

Backhoe Bucket

with Two-Piece Boom Offset 5.00 m and Counterweight 3.9 t



Digging Envelope

with quick coupler		1	2	3
Stick length	m	2.25	2.45	2.65
A Max. reach at ground level	m	8.65	8.85	9.05
B Max. digging depth	m	5.50	5.70	5.90
C Min. dumping height	m	3.25	3.10	2.95
D Max. dumping height	m	6.80	6.95	7.15
E Max. cutting height	m	9.80	9.95	10.10
F Max. offset right	m	2.38		
G Max. offset left	m	2.37		
H Max. offset angle	°	39.1		

1 with stick 2.25 m
 2 with stick 2.45 m
 3 with stick 2.65 m
 with set straight boom

4 with stick 2.25 m
 5 with stick 2.45 m
 6 with stick 2.65 m
 at max. attachment offset
 with vertical ditch walls

Forces

without quick coupler		1	2	3
Stick digging force (ISO 6015)	kN	83	78	74
Bucket digging force (ISO 6015)	kN	98	98	98
Stick digging force (SAE J1179)	kN	79	75	71
Bucket digging force (SAE J1179)	kN	89	89	89

Operating Weight and Ground Pressure

The operating weight includes the basic machine with counterweight 3.9 t, two-piece boom offset 4.90 m, stick 2.65 m, quick coupler SWA 33 and bucket 0.80 m³ (480 kg).

Undercarriage		NLC			NLC with blade		
Pad width	mm	500	600	750	500	600	750
Weight	kg	19,600	19,850	20,250	21,100	21,350	21,750
Ground pressure	kg/cm ²	0.54	0.46	0.37	0.58	0.49	0.40

Undercarriage		LC			LC with blade		
Pad width	mm	500	600	750	500	600	750
Weight	kg	19,650	19,900	20,300	21,250	21,500	21,900
Ground pressure	kg/cm ²	0.54	0.46	0.37	0.58	0.49	0.40

Buckets Machine stability per ISO 10567* (75% of tipping capacity)

	Cutting width mm	Capacity ISO 7451 m ³	Weight ³⁾ kg	NLC-Undercarriage (with track pads 500 mm)						NLC-Undercarriage with blade (with track pads 500 mm)						LC-Undercarriage (with track pads 600 mm)						LC-Undercarriage with blade (with track pads 600 mm)					
				Stick length (m)						Stick length (m)						Stick length (m)						Stick length (m)					
				without quick coupler			with quick coupler			without quick coupler			with quick coupler			without quick coupler			with quick coupler			without quick coupler			with quick coupler		
	2.25	2.45	2.65	2.25	2.45	2.65	2.25	2.45	2.65	2.25	2.45	2.65	2.25	2.45	2.65	2.25	2.45	2.65	2.25	2.45	2.65	2.25	2.45	2.65			
STD ¹⁾	500	0.30	290	▲	▲	▲	▲	▲	▲	▲	▲	▲	▲	▲	▲	▲	▲	▲	▲	▲	▲	▲	▲	▲	▲		
	650	0.42	350	▲	▲	▲	▲	▲	▲	▲	▲	▲	▲	▲	▲	▲	▲	▲	▲	▲	▲	▲	▲	▲	▲		
	850	0.60	400	▲	▲	▲	▲	▲	▲	▲	▲	▲	▲	▲	▲	▲	▲	▲	▲	▲	▲	▲	▲	▲	▲		
	1,050	0.80	480	▲	▲	■	▲	▲	■	▲	▲	▲	▲	▲	▲	▲	▲	▲	▲	▲	▲	▲	▲	▲	▲		
	1,250	0.95	525	■	▲	■	▲	▲	■	▲	■	■	▲	■	▲	▲	▲	▲	▲	■	▲	▲	▲	▲	▲		
HD ²⁾	500	0.30	320	▲	▲	▲	▲	▲	▲	▲	▲	▲	▲	▲	▲	▲	▲	▲	▲	▲	▲	▲	▲	▲	▲		
	650	0.42	390	▲	▲	▲	▲	▲	▲	▲	▲	▲	▲	▲	▲	▲	▲	▲	▲	▲	▲	▲	▲	▲	▲		
	850	0.60	450	▲	▲	▲	▲	▲	▲	▲	▲	▲	▲	▲	▲	▲	▲	▲	▲	▲	▲	▲	▲	▲	▲		
	1,050	0.80	540	▲	▲	■	▲	■	■	▲	▲	▲	▲	▲	▲	▲	▲	▲	▲	▲	▲	▲	▲	▲	▲		
	1,250	0.95	595	▲	▲	■	▲	■	■	▲	■	■	▲	■	■	▲	▲	▲	■	▲	▲	▲	▲	▲	▲		

* Indicated loads are based on ISO 10567, at maximum reach, and may be swung 360° on firm and even ground

¹⁾ Standard bucket with teeth Uni 35-3

²⁾ HD bucket with teeth Uni 35-3

³⁾ Bucket for direct mounting or mounting to quick coupler

Other buckets available upon request

Max. material weight ▲ = ≤ 2.0 t/m³, ■ = ≤ 1.8 t/m³, ▲ = ≤ 1.65 t/m³, ■ = ≤ 1.5 t/m³

Lift Capacities

with Mono Boom 5.00 m, Counterweight 3.9 t and Track Pads 500 mm/600 mm

Stick 2.25 m												Stick 2.45 m												
Under-carriage	m	3.0 m		4.5 m		6.0 m		7.5 m		m	m	m	m	m	m	m	m	m	m	m	m			
		3.0 m	4.5 m	6.0 m	7.5 m	3.0 m	4.5 m	6.0 m	7.5 m													3.0 m	4.5 m	6.0 m
NLC ¹⁾	7.5									3.7*	3.7*	4.1									3.3*	3.3*	4.4	
	6.0									3.1*	3.1*	5.7										2.8*	2.8*	6.0
	4.5	6.6*	6.6*	5.0	5.4*	3.2	4.9*			2.7	2.9*	6.6									2.5	2.7*	6.8	
	3.0			4.6	6.6*	3.0	5.3			2.3	3.0*	7.1									2.2	2.7*	7.3	
	1.5			4.3	7.7*	2.9	5.1			2.2	3.2*	7.2									2.1	2.9*	7.4	
	0	5.7*	5.7*	4.1	7.7	2.8	5.0			2.2	3.6*	7.0									2.1	3.2*	7.2	
	-1.5	7.4	10.4*	4.0	7.6	2.7	4.9			2.5	4.4	6.5									2.3	3.9*	6.7	
-3.0	7.6	9.4*	4.1	6.7*					3.2	5.1*	5.5									2.9	5.0*	5.7		
NLC ¹⁾ Blade up	7.5									3.7*	3.7*	4.1									3.3*	3.3*	4.4	
	6.0									3.1*	3.1*	5.7									2.8*	2.8*	6.0	
	4.5	6.6*	6.6*	5.3	5.4*	3.4	4.9*			2.9	2.9*	6.6									2.7*	2.7*	6.8	
	3.0			5.0	6.6*	3.3	5.3*			2.5	3.0*	7.1									2.4	2.7*	7.3	
	1.5			4.6	7.7*	3.1	5.2			2.4	3.2*	7.2									2.3	2.9*	7.4	
	0	5.7*	5.7*	4.4	7.8	3.0	5.1			2.4	3.6*	7.0									2.3	3.2*	7.2	
	-1.5	8.0	10.4*	4.4	7.8	3.0	5.0			2.7	4.4*	6.5									2.6	3.9*	6.7	
-3.0	8.2	9.4*	4.5	6.7*					3.4	5.1*	5.5									3.2	5.0*	5.7		
NLC ¹⁾ Blade down	7.5									3.7*	3.7*	4.1									3.3*	3.3*	4.4	
	6.0									3.1*	3.1*	5.7									2.8*	2.8*	6.0	
	4.5	6.6*	6.6*	5.4*	5.4*	3.6	4.9*			2.9*	2.9*	6.6									2.7*	2.7*	6.8	
	3.0			5.2	6.6*	3.4	5.3*			2.6	3.0*	7.1									2.5	2.7*	7.3	
	1.5			4.9	7.7*	3.3	5.8*			2.5	3.2*	7.2									2.4	2.9*	7.4	
	0	5.7*	5.7*	4.7	8.2*	3.2	6.0*			2.6	3.6*	7.0									2.4	3.2*	7.2	
	-1.5	8.5	10.4*	4.6	7.9*	3.1	5.8*			2.8	4.4*	6.5									2.7	3.9*	6.7	
-3.0	8.7	9.4*	4.7	6.7*					3.6	5.1*	5.5									3.4	5.0*	5.7		
LC	7.5									3.7*	3.7*	4.1									3.3*	3.3*	4.4	
	6.0									3.1*	3.1*	5.7									2.8*	2.8*	6.0	
	4.5	6.6*	6.6*	5.4*	5.4*	3.7	4.9*			2.9*	2.9*	6.6									2.7*	2.7*	6.8	
	3.0			5.4	6.6*	3.5	5.3*			2.7	3.0*	7.1									2.6	2.7*	7.3	
	1.5			5.0	7.7*	3.4	5.2			2.6	3.2*	7.2									2.5	2.9*	7.4	
	0	5.7*	5.7*	4.8	7.8	3.3	5.1			2.6	3.6*	7.0									2.5	3.2*	7.2	
	-1.5	9.0	10.4*	4.8	7.8	3.2	5.0			2.9	4.4*	6.5									2.8	3.9*	6.7	
-3.0	9.2	9.4*	4.8	6.7*					3.7	5.1*	5.5									3.5	5.0*	5.7		
LC Blade up	7.5									3.7*	3.7*	4.1									3.3*	3.3*	4.4	
	6.0									3.1*	3.1*	5.7									2.8*	2.8*	6.0	
	4.5	6.6*	6.6*	5.4*	5.4*	4.0	4.9*			2.9*	2.9*	6.6									2.7*	2.7*	6.8	
	3.0			5.8	6.6*	3.8	5.3*			3.0	3.0*	7.1									2.7*	2.7*	7.3	
	1.5			5.5	7.7*	3.7	5.3			2.8	3.2*	7.2									2.7	2.9*	7.4	
	0	5.7*	5.7*	5.3	8.0	3.6	5.2			2.9	3.6*	7.0									2.7	3.2*	7.2	
	-1.5	9.8	10.4*	5.2	7.9*	3.5	5.1			3.2	4.4*	6.5									3.0	3.9*	6.7	
-3.0	9.4*	9.4*	5.3	6.7*					4.0	5.1*	5.5									3.8	5.0*	5.7		
LC Blade down	7.5									3.7*	3.7*	4.1									3.3*	3.3*	4.4	
	6.0									3.1*	3.1*	5.7									2.8*	2.8*	6.0	
	4.5	6.6*	6.6*	5.4*	5.4*	4.2	4.9*			2.9*	2.9*	6.6									2.7*	2.7*	6.8	
	3.0			6.2	6.6*	4.1	5.3*			3.0*	3.0*	7.1									2.7*	2.7*	7.3	
	1.5			5.8	7.7*	3.9	5.8*			3.0	3.2*	7.2									2.9*	2.9*	7.4	
	0	5.7*	5.7*	5.6	8.2*	3.8	6.0*			3.0	3.6*	7.0									2.9	3.2*	7.2	
	-1.5	10.4*	10.4*	5.6	7.9*	3.7	5.8*			3.4	4.4*	6.5									3.2	3.9*	6.7	
-3.0	9.4*	9.4*	5.6	6.7*					4.3	5.1*	5.5									4.0	5.0*	5.7		

Height Can be slewed through 360° In longitudinal position of undercarriage Max. reach * Limited by hydr. capacity

The load values are quoted in tons (t) at stick end (without bucket), and may be swung 360° on firm and even ground. Adjacent values are valid for the undercarriage when in the longitudinal position. Capacities are valid for 600 mm wide track pads. Indicated loads are based on ISO 10567 standard and do not exceed 75% of tipping or 87% of hydraulic capacity (indicated via *). Without bucket cylinder, link and lever the lift capacities will increase by 230 kg. Lifting capacity of the excavator is limited by machine stability and hydraulic capacity.

According to European Standard, EN 474-5: In the European Union excavators have to be equipped with an overload warning device, a load diagram and automatic safety check valves on hoist cylinders and stick cylinder(s), when they are used for lifting operations which require the use of lifting accessories.

¹⁾ Values are calculated with 500 mm wide track pads for the NLC-Undercarriage

Stick 2.65 m

Under-carriage	3.0 m		4.5 m		6.0 m		7.5 m		Max. reach		m	
	m											
NLC ¹⁾	7.5		3.7*	3.7*					2.9*	2.9*	4.7	
	6.0		4.3*	4.3*	3.2	3.4*			2.5*	2.5*	6.2	
	4.5		4.9*	4.9*	3.2	4.5*			2.4	2.4*	7.0	
	3.0	8.6	9.1*	4.7	6.1*	3.0	5.0*		2.1	2.4*	7.5	
	1.5			4.3	7.4*	2.9	5.1	2.1	3.4*	2.0	2.6*	7.6
	0	6.3*	6.3*	4.0	7.7	2.7	4.9			2.0	2.9*	7.4
	-1.5	7.2	9.6*	3.9	7.6	2.7	4.9			2.2	3.5*	6.9
	-3.0	7.4	10.1*	4.0	7.1*					2.7	4.8*	6.0
NLC ¹⁾ Blade up	7.5		3.7*	3.7*					2.9*	2.9*	4.7	
	6.0		4.3*	4.3*	3.4*	3.4*			2.5*	2.5*	6.2	
	4.5		4.9*	4.9*	3.4	4.5*			2.4*	2.4*	7.0	
	3.0	9.1*	9.1*	5.0	6.1*	3.3	5.0*		2.3	2.4*	7.5	
	1.5			4.6	7.4*	3.1	5.2	2.2	3.4*	2.2	2.6*	7.6
	0	6.3*	6.3*	4.4	7.8	3.0	5.0			2.2	2.9*	7.4
	-1.5	7.9	9.6*	4.3	7.7	2.9	4.9			2.4	3.5*	6.9
	-3.0	8.0	10.1*	4.3	7.1*					3.0	4.8*	6.0
NLC ¹⁾ Blade down	7.5		3.7*	3.7*					2.9*	2.9*	4.7	
	6.0		4.3*	4.3*	3.4*	3.4*			2.5*	2.5*	6.2	
	4.5		4.9*	4.9*	3.6	4.5*			2.4*	2.4*	7.0	
	3.0	9.1*	9.1*	5.3	6.1*	3.4	5.0*		2.4	2.4*	7.5	
	1.5			4.9	7.4*	3.3	5.6*	2.4	3.4*	2.3	2.6*	7.6
	0	6.3*	6.3*	4.6	8.1*	3.1	5.9*			2.3	2.9*	7.4
	-1.5	8.4	9.6*	4.5	8.0*	3.1	5.9*			2.6	3.5*	6.9
	-3.0	8.5	10.1*	4.6	7.1*					3.1	4.8*	6.0
LC	7.5		3.7*	3.7*					2.9*	2.9*	4.7	
	6.0		4.3*	4.3*	3.4*	3.4*			2.5*	2.5*	6.2	
	4.5		4.9*	4.9*	3.7	4.5*			2.4*	2.4*	7.0	
	3.0	9.1*	9.1*	5.4	6.1*	3.5	5.0*		2.4*	2.4*	7.5	
	1.5			5.0	7.4*	3.3	5.2	2.4	3.4*	2.4	2.6*	7.6
	0	6.3*	6.3*	4.8	7.8	3.2	5.0			2.4	2.9*	7.4
	-1.5	8.8	9.6*	4.7	7.7	3.2	5.0			2.6	3.5*	6.9
	-3.0	9.0	10.1*	4.7	7.1*					3.2	4.8*	6.0
LC Blade up	7.5		3.7*	3.7*					2.9*	2.9*	4.7	
	6.0		4.3*	4.3*	3.4*	3.4*			2.5*	2.5*	6.2	
	4.5		4.9*	4.9*	4.0	4.5*			2.4*	2.4*	7.0	
	3.0	9.1*	9.1*	5.9	6.1*	3.8	5.0*		2.4*	2.4*	7.5	
	1.5			5.5	7.4*	3.6	5.3	2.6	3.4*	2.6	2.6*	7.6
	0	6.3*	6.3*	5.2	8.0	3.5	5.1			2.6	2.9*	7.4
	-1.5	9.6*	9.6*	5.1	7.9	3.5	5.0			2.9	3.5*	6.9
	-3.0	9.8	10.1*	5.2	7.1*					3.5	4.8*	6.0
LC Blade down	7.5		3.7*	3.7*					2.9*	2.9*	4.7	
	6.0		4.3*	4.3*	3.4*	3.4*			2.5*	2.5*	6.2	
	4.5		4.9*	4.9*	4.2	4.5*			2.4*	2.4*	7.0	
	3.0	9.1*	9.1*	6.1*	6.1*	4.1	5.0*		2.4*	2.4*	7.5	
	1.5			5.8	7.4*	3.9	5.6*	2.8	3.4*	2.6*	2.6*	7.6
	0	6.3*	6.3*	5.6	8.1*	3.7	5.9*			2.8	2.9*	7.4
	-1.5	9.6*	9.6*	5.5	8.0*	3.7	5.9*			3.1	3.5*	6.9
	-3.0	10.1*	10.1*	5.5	7.1*					3.8	4.8*	6.0

 Height
  Can be slewed through 360°
  In longitudinal position of undercarriage
  Max. reach
 * Limited by hydr. capacity

The load values are quoted in tons (t) at stick end (without bucket), and may be swung 360° on firm and even ground. Adjacent values are valid for the undercarriage when in the longitudinal position. Capacities are valid for 600 mm wide track pads. Indicated loads are based on ISO 10567 standard and do not exceed 75% of tipping or 87% of hydraulic capacity (indicated via *). Without bucket cylinder, link and lever the lift capacities will increase by 230 kg. Lifting capacity of the excavator is limited by machine stability and hydraulic capacity.

According to European Standard, EN 474-5: In the European Union excavators have to be equipped with an overload warning device, a load diagram and automatic safety check valves on hoist cylinders and stick cylinder(s), when they are used for lifting operations which require the use of lifting accessories.

¹⁾ Values are calculated with 500 mm wide track pads for the NLC-Undercarriage

Lift Capacities

with Two-Piece Boom 5.30 m, Counterweight 3.9 t and Track Pads 500 mm/600 mm

Stick 2.25 m										Stick 2.45 m																
Under-carriage	3.0 m		4.5 m		6.0 m		7.5 m		m		Under-carriage	3.0 m		4.5 m		6.0 m		7.5 m		m						
	m	Height	Height	Height	Height	Height	Height	Height	Height	Height		m	Height	Height	Height	Height	Height	Height	Height	Height	Height	Height				
NLC ¹⁾	7.5			4.7*	4.7*						3.7*	3.7*	4.7	7.5			5.0*	5.0*					3.3*	3.3*	5.0	
	6.0			5.2	5.9*	3.2	4.2*				3.0	3.2*	6.1	6.0			5.2	5.7*	3.2	4.6*				2.8*	2.8*	6.4
	4.5	8.8*	8.8*	5.1	6.5*	3.3	5.4*				2.4	3.0*	7.0	4.5	7.5*	7.5*	5.1	6.3*	3.3	5.3*				2.3	2.7*	7.2
	3.0	8.9	10.2*	5.0	7.5*	3.3	5.4				2.1	2.9*	7.4	3.0	8.9	10.2*	5.0	7.3*	3.3	5.3	2.1	3.7	2.1	2.7*	7.6	
	1.5	8.8	11.1*	5.0	8.0	3.2	5.4	2.1	3.7	2.0	3.1*	7.6	1.5	8.8*	11.1*	4.9	8.0	3.2	5.3	2.1	3.7	2.0	2.8*	7.8		
	0	8.8	12.6*	4.8	8.0	3.0	5.2				2.1	3.4*	7.4	0	8.8	12.4*	4.8	8.0	3.0	5.3	2.0	3.6	2.0	3.0*	7.6	
	-1.5	8.4	13.1*	4.6	8.3	2.9	5.1				2.3	4.0*	6.9	-1.5	8.4	13.0*	4.6	8.2	2.9	5.1			2.2	3.5*	7.1	
-3.0	8.3	13.2*	4.3	7.6*						2.9	3.8*	5.8	-3.0	8.3	13.4*	4.3	8.0*	2.8	4.0*			2.7	3.5*	6.1		
-4.5													-4.5													
NLC ¹⁾ Blade up	7.5			4.7*	4.7*						3.7*	3.7*	4.7	7.5			5.0*	5.0*						3.3*	3.3*	5.0
	6.0			5.5	5.9*	3.4	4.2*				3.2*	3.2*	6.1	6.0			5.6	5.7*	3.5	4.6*				2.8*	2.8*	6.4
	4.5	8.8*	8.8*	5.4	6.5*	3.5	5.4*				2.6	3.0*	7.0	4.5	7.5*	7.5*	5.4	6.3*	3.6	5.3*				2.5	2.7*	7.2
	3.0	9.4	10.2*	5.3	7.5*	3.5	5.4				2.3	2.9*	7.4	3.0	9.4	10.2*	5.3	7.3*	3.5	5.4	2.3	3.8	2.2	2.7*	7.6	
	1.5	9.3	11.1*	5.3	8.1	3.4	5.4	2.3	3.7	2.2	3.1*	7.6	1.5	9.3	11.1*	5.2	8.1	3.4	5.4	2.3	3.7	2.1	2.8*	7.8		
	0	9.4	12.6*	5.2	8.1	3.3	5.3				2.3	3.4*	7.4	0	9.4	12.4*	5.2	8.1	3.3	5.4	2.2	3.7	2.2	3.0*	7.6	
	-1.5	9.1	13.1*	4.9	8.4	3.1	5.2				2.5	4.0*	6.9	-1.5	9.0	13.0*	5.0	8.3	3.1	5.2			2.4	3.5*	7.1	
-3.0	8.9	13.2*	4.7	7.6*						3.2	3.8*	5.8	-3.0	9.0	13.4*	4.7	8.0*	3.0	4.0*			2.9	3.5*	6.1		
-4.5													-4.5													
NLC ¹⁾ Blade down	7.5			4.7*	4.7*						3.7*	3.7*	4.7	7.5			5.0*	5.0*						3.3*	3.3*	5.0
	6.0			5.8	5.9*	3.6	4.2*				3.2*	3.2*	6.1	6.0			5.7*	5.7*	3.6	4.6*				2.8*	2.8*	6.4
	4.5	8.8*	8.8*	5.7	6.5*	3.7	5.4*				2.8	3.0*	7.0	4.5	7.5*	7.5*	5.7	6.3*	3.7	5.3*				2.6	2.7*	7.2
	3.0	9.9	10.2*	5.5	7.5*	3.7	5.7*				2.5	2.9*	7.4	3.0	9.9	10.2*	5.5	7.3*	3.7	5.6*	2.4	3.8*	2.2	2.7*	7.6	
	1.5	9.7	11.1*	5.5	8.2*	3.6	6.0*	2.4	3.9*	2.3	3.1*	7.6	1.5	9.7	11.1*	5.5	8.1*	3.6	5.9*	2.4	4.7*	2.2	2.8*	7.8		
	0	9.9	12.6*	5.4	8.2*	3.4	6.1*				2.4	3.4*	7.4	0	9.8	12.4*	5.4	8.2*	3.4	6.0*	2.3	4.0*	2.3	3.0*	7.6	
	-1.5	9.6	13.1*	5.2	8.4*	3.3	6.0*				2.6	4.0*	6.9	-1.5	9.6	13.0*	5.2	8.3*	3.3	6.0*			2.5	3.5*	7.1	
-3.0	9.4	13.2*	4.9	7.6*						3.4	3.8*	5.8	-3.0	9.5	13.4*	4.9	8.0*	3.2	4.0*			3.1	3.5*	6.1		
-4.5													-4.5													
LC	7.5			4.7*	4.7*						3.7*	3.7*	4.7	7.5			5.0*	5.0*						3.3*	3.3*	5.0
	6.0			5.9*	5.9*	3.7	4.2*				3.2*	3.2*	6.1	6.0			5.7*	5.7*	3.7	4.6*				2.8*	2.8*	6.4
	4.5	8.8*	8.8*	5.8	6.5*	3.8	5.4*				2.8	3.0*	7.0	4.5	7.5*	7.5*	5.8	6.3*	3.8	5.3*				2.7*	2.7*	7.2
	3.0	10.2*	10.2*	5.7	7.5*	3.8	5.4				2.5	2.9*	7.4	3.0	10.2*	10.2*	5.7	7.3*	3.8	5.4	2.5	3.8	2.4	2.7*	7.6	
	1.5	10.2	11.1*	5.6	8.1	3.7	5.4	2.4	3.7	2.4	3.1*	7.6	1.5	10.1	11.1*	5.6	8.1	3.7	5.4	2.4	3.7	2.3	2.8*	7.8		
	0	10.3	12.6*	5.6	8.1	3.5	5.3				2.4	3.4*	7.4	0	10.2	12.4*	5.6	8.1	3.5	5.4	2.4	3.7	2.3	3.0*	7.6	
	-1.5	10.1	13.1*	5.4	8.4	3.3	5.2				2.7	4.0*	6.9	-1.5	10.1	13.0*	5.4	8.3	3.4	5.2			2.6	3.5*	7.1	
-3.0	10.0	13.2*	5.1	7.6*						3.5	3.8*	5.8	-3.0	10.0	13.4*	5.1	8.0*	3.3	4.0*			3.1	3.5*	6.1		
-4.5													-4.5													
LC Blade up	7.5			4.7*	4.7*						3.7*	3.7*	4.7	7.5			5.0*	5.0*						3.3*	3.3*	5.0
	6.0			5.9*	5.9*	4.0	4.2*				3.2*	3.2*	6.1	6.0			5.7*	5.7*	4.0	4.6*				2.8*	2.8*	6.4
	4.5	8.8*	8.8*	6.2	6.5*	4.1	5.4*				3.0*	3.0*	7.0	4.5	7.5*	7.5*	6.2	6.3*	4.1	5.3*				2.7*	2.7*	7.2
	3.0	10.2*	10.2*	6.1	7.5*	4.1	5.5				2.7	2.9*	7.4	3.0	10.2*	10.2*	6.0	7.3*	4.1	5.5	2.7	3.8*	2.6	2.7*	7.6	
	1.5	10.8	11.1*	6.0	8.2*	4.0	5.5	2.7	3.8	2.6	3.1*	7.6	1.5	10.8	11.1*	6.0	8.1*	4.0	5.5	2.7	3.8	2.5	2.8*	7.8		
	0	11.0	12.6*	6.0	8.2	3.8	5.4				2.7	3.4*	7.4	0	10.9	12.4*	6.0	8.2	3.8	5.4	2.6	3.7	2.6	3.0*	7.6	
	-1.5	10.9	13.1*	5.8	8.4	3.6	5.3				3.0	4.0*	6.9	-1.5	10.9	13.0*	5.8	8.3	3.7	5.3			2.8	3.5*	7.1	
-3.0	10.8	13.2*	5.5	7.6*						3.8	3.8*	5.8	-3.0	10.8	13.4*	5.5	8.0*	3.6	4.0*			3.4	3.5*	6.1		
-4.5													-4.5													
LC Blade down	7.5			4.7*	4.7*						3.7*	3.7*	4.7	7.5			5.0*	5.0*						3.3*	3.3*	5.0
	6.0			5.9*	5.9*	4.2*	4.2*				3.2*	3.2*	6.1	6.0			5.7*	5.7*	4.3	4.6*				2.8*	2.8*	6.4
	4.5	8.8*	8.8*	6.5*	6.5*	4.3	5.4*				3.0*	3.0*	7.0	4.5	7.5*	7.5*	6.3*	6.3*	4.3	5.3*				2.7*	2.7*	7.2
	3.0	10.2*	10.2*	6.4	7.5*	4.3	5.7*				2.9	2.9*	7.4	3.0	10.2*	10.2*	6.4	7.3*	4.3	5.6*	2.9	3.8*	2.7	2.7*	7.6	
	1.5	11.1*	11.1*	6.3	8.2*	4.2	6.0*	2.8	3.9*	2.8	3.1*	7.6	1.5	11.1*	11.1*	6.3	8.1*	4.2	5.9*	2.8	4.7*	2.7	2.8*	7.8		
	0	11.6	12.6*	6.4	8.2*	4.0	6.1*				2.8	3.4*	7.4	0	11.5	12.4*	6.4	8.2*	4.1	6.0*	2.8	4.0*	2.7	3.0*	7.6	
	-1.5	11.8	13.1*	6.2	8.4*	3.9	6.0*				3.1	4.0*	6.9	-1.5	11.8	13.0*	6.2	8.3*	3.9	6.0*			3.0	3.5*	7.1	
-3.0	11.6	13.2*	5.9	7.6*						3.8*	3.8*	5.8	-3.0	11.7	13.4*	5.9	8.0*	3.8	4.0*			3.5*	3.5*	6.1		
-4.5													-4.5													

Height
 Can be slewed through 360°
 In longitudinal position of undercarriage
 Max. reach
 * Limited by hydr. capacity

The load values are quoted in tons (t) at stick end (without bucket), and may be swung 360° on firm and even ground. Adjacent values are valid for the undercarriage when in the longitudinal position. Capacities are valid for 600 mm wide track pads with adjusting cylinder in optimal position. Indicated loads are based on ISO 10567 standard and do not exceed 75 % of tipping or 87 % of hydraulic capacity (indicated via *). Without bucket cylinder, link and lever the lift capacities will increase by 230 kg. Lifting capacity of the excavator is limited by machine stability and hydraulic capacity. According to European Standard, EN 474-5: In the European Union excavators have to be equipped with an overload warning device, a load diagram and automatic safety check valves on hoist cylinders and stick cylinder(s), when they are used for lifting operations which require the use of lifting accessories.

¹⁾ Values are calculated with 500 mm wide track pads for the NLC-Undercarriage

Stick 2.65 m

Under-carriage	3.0 m		4.5 m		6.0 m		7.5 m		m			
m												
NLC ¹⁾	7.5			4.9*	4.9*				3.0*	3.0*	5.3	
	6.0			5.2	5.4*	3.3	4.6*		2.6*	2.6*	6.6	
	4.5	6.2*	6.2*	5.1	6.1*	3.3	5.1*		2.2	2.4*	7.4	
	3.0	8.9	10.1*	5.0	7.1*	3.3	5.3	2.2	3.7	2.0	2.4*	7.8
	1.5	8.7	11.0*	4.9	7.9	3.2	5.3	2.1	3.7	1.9	2.5*	8.0
	0	8.8	12.2*	4.8	7.9	3.1	5.3	2.0	3.6	1.9	2.7*	7.8
	-1.5	8.4	12.9*	4.6	8.1	2.9	5.1			2.1	3.2*	7.3
	-3.0	8.3	13.4*	4.3	8.1	2.8	4.6*			2.5	3.4*	6.4
	-4.5	8.1	8.7*							6.5	7.0*	3.4
	NLC ¹⁾ Blade up	7.5			4.9*	4.9*				3.0*	3.0*	5.3
6.0				5.4*	5.4*	3.5	4.6*		2.6*	2.6*	6.6	
4.5		6.2*	6.2*	5.4	6.1*	3.6	5.1*		2.4	2.4*	7.4	
3.0		9.4	10.1*	5.3	7.1*	3.6	5.4	2.3	3.8	2.1	2.4*	7.8
1.5		9.2	11.0*	5.2	8.0*	3.5	5.4	2.3	3.7	2.0	2.5*	8.0
0		9.3	12.2*	5.2	8.0	3.3	5.4	2.2	3.7	2.1	2.7*	7.8
-1.5		9.0	12.9*	5.0	8.2	3.1	5.2			2.3	3.2*	7.3
-3.0		8.9	13.4*	4.7	8.2	3.0	4.6*			2.7	3.4*	6.4
-4.5		8.7*	8.7*							7.0	7.0*	3.4
NLC ¹⁾ Blade down		7.5			4.9*	4.9*				3.0*	3.0*	5.3
	6.0			5.4*	5.4*	3.7	4.6*		2.6*	2.6*	6.6	
	4.5	6.2*	6.2*	5.7	6.1*	3.7	5.1*		2.4*	2.4*	7.4	
	3.0	9.9	10.1*	5.5	7.1*	3.7	5.5*	2.5	4.4*	2.2	2.4*	7.8
	1.5	9.7	11.0*	5.4	8.0*	3.6	5.9*	2.4	4.7*	2.1	2.5*	8.0
	0	9.7	12.2*	5.4	8.1*	3.5	6.0*	2.3	4.5*	2.2	2.7*	7.8
	-1.5	9.6	12.9*	5.2	8.3*	3.3	6.1*			2.4	3.2*	7.3
	-3.0	9.4	13.4*	4.9	8.2*	3.2	4.6*			2.9	3.4*	6.4
	-4.5	8.7*	8.7*							7.0*	7.0*	3.4
	LC	7.5			4.9*	4.9*				3.0*	3.0*	5.3
6.0				5.4*	5.4*	3.8	4.6*		2.6*	2.6*	6.6	
4.5		6.2*	6.2*	5.8	6.1*	3.8	5.1*		2.4*	2.4*	7.4	
3.0		10.1*	10.1*	5.7	7.1*	3.8	5.4	2.5	3.8	2.3	2.4*	7.8
1.5		10.1	11.0*	5.6	8.0*	3.7	5.4	2.5	3.7	2.2	2.5*	8.0
0		10.2	12.2*	5.6	8.0	3.6	5.4	2.4	3.7	2.2	2.7*	7.8
-1.5		10.1	12.9*	5.4	8.2	3.4	5.2			2.4	3.2*	7.3
-3.0		10.0	13.4*	5.1	8.2	3.2	4.6*			2.9	3.4*	6.4
-4.5		8.7*	8.7*							7.0*	7.0*	3.4
LC Blade up		7.5			4.9*	4.9*				3.0*	3.0*	5.3
	6.0			5.4*	5.4*	4.1	4.6*		2.6*	2.6*	6.6	
	4.5	6.2*	6.2*	6.1*	6.1*	4.1	5.1*		2.4*	2.4*	7.4	
	3.0	10.1*	10.1*	6.0	7.1*	4.1	5.5	2.7	3.9	2.4*	2.4*	7.8
	1.5	10.7	11.0*	5.9	8.0*	4.0	5.4	2.7	3.8	2.4	2.5*	8.0
	0	10.8	12.2*	6.0	8.1	3.8	5.5	2.6	3.7	2.4	2.7*	7.8
	-1.5	10.9	12.9*	5.8	8.2	3.7	5.3			2.7	3.2*	7.3
	-3.0	10.8	13.4*	5.5	8.2*	3.5	4.6*			3.2	3.4*	6.4
	-4.5	8.7*	8.7*							7.0*	7.0*	3.4
	LC Blade down	7.5			4.9*	4.9*				3.0*	3.0*	5.3
6.0				5.4*	5.4*	4.3	4.6*		2.6*	2.6*	6.6	
4.5		6.2*	6.2*	6.1*	6.1*	4.3	5.1*		2.4*	2.4*	7.4	
3.0		10.1*	10.1*	6.4	7.1*	4.3	5.5*	2.9	4.4*	2.4*	2.4*	7.8
1.5		11.0*	11.0*	6.3	8.0*	4.2	5.9*	2.9	4.7*	2.5*	2.5*	8.0
0		11.5	12.2*	6.3	8.1*	4.1	6.0*	2.8	4.5*	2.6	2.7*	7.8
-1.5		11.8	12.9*	6.2	8.3*	3.9	6.1*			2.8	3.2*	7.3
-3.0		11.7	13.4*	5.9	8.2*	3.8	4.6*			3.4	3.4*	6.4
-4.5		8.7*	8.7*							7.0*	7.0*	3.4

Height Can be slewed through 360° In longitudinal position of undercarriage Max. reach * Limited by hydr. capacity

The load values are quoted in tons (t) at stick end (without bucket), and may be swung 360° on firm and even ground. Adjacent values are valid for the undercarriage when in the longitudinal position. Capacities are valid for 600 mm wide track pads with adjusting cylinder in optimal position. Indicated loads are based on ISO 10567 standard and do not exceed 75 % of tipping or 87 % of hydraulic capacity (indicated via *). Without bucket cylinder, link and lever the lift capacities will increase by 230 kg. Lifting capacity of the excavator is limited by machine stability and hydraulic capacity. According to European Standard, EN 474-5: In the European Union excavators have to be equipped with an overload warning device, a load diagram and automatic safety check valves on hoist cylinders and stick cylinder(s), when they are used for lifting operations which require the use of lifting accessories.

¹⁾ Values are calculated with 500 mm wide track pads for the NLC-Undercarriage

Lift Capacities

with Mono Boom Offset 4.90 m, Counterweight 3.9 t and Track Pads 500 mm/600 mm

Stick 2.25 m

Under-carriage	3.0 m		4.5 m		6.0 m		7.5 m		m		
	m	Icon	m	Icon	m	Icon	m	Icon	m	Icon	
NLC ¹⁾	7.5								3.4*	3.4*	3.8
	6.0								2.9*	2.9*	5.6
	4.5	7.1*	7.1*	4.9	5.7*	3.0	5.0*		2.6	2.7*	6.5
	3.0	8.2	10.3*	4.5	6.7*	2.9	5.2		2.3	2.8*	7.0
	1.5			4.1	7.6*	2.7	5.0		2.1	3.0*	7.1
	0	6.9	6.9*	3.8	7.5	2.6	4.8		2.1	3.4*	6.9
	-1.5	7.0	10.5*	3.8	7.4	2.6	4.8		2.4	4.3*	6.3
-3.0	7.2	8.1*	3.9	5.9*				3.1	4.6*	5.3	
NLC ¹⁾ Blade up	7.5			5.2*	5.2*				3.4*	3.4*	3.8
	6.0								2.9*	2.9*	5.6
	4.5	7.1*	7.1*	5.3	5.7*	3.3	5.0*		2.7*	2.7*	6.5
	3.0	8.8	10.3*	4.8	6.7*	3.2	5.2		2.5	2.8*	7.0
	1.5			4.4	7.6*	3.0	5.0		2.3	3.0*	7.1
	0	6.9*	6.9*	4.2	7.6	2.8	4.9		2.4	3.4*	6.9
	-1.5	7.6	10.5*	4.1	7.4*	2.8	4.9		2.6	4.3*	6.3
-3.0	7.8	8.1*	4.2	5.9*				3.4	4.6*	5.3	
NLC ¹⁾ Blade down	7.5			5.2*	5.2*				3.4*	3.4*	3.8
	6.0								2.9*	2.9*	5.6
	4.5	7.1*	7.1*	5.5	5.7*	3.4	5.0*		2.7*	2.7*	6.5
	3.0	9.3	10.3*	5.1	6.7*	3.3	5.3*		2.6	2.8*	7.0
	1.5			4.7	7.6*	3.1	5.7*		2.4	3.0*	7.1
	0	6.9*	6.9*	4.4	7.9	3.0	5.8*		2.5	3.4*	6.9
	-1.5	8.1	10.5*	4.4	7.4*	3.0	5.4*		2.8	4.3*	6.3
-3.0	8.1*	8.1*	4.5	5.9*				3.6	4.6*	5.3	
LC	7.5			5.2*	5.2*				3.4*	3.4*	3.8
	6.0								2.9*	2.9*	5.6
	4.5	7.1*	7.1*	5.7*	5.7*	3.5	5.0*		2.7*	2.7*	6.5
	3.0	9.9	10.3*	5.3	6.7*	3.4	5.2		2.7	2.8*	7.0
	1.5			4.8	7.6*	3.2	5.0		2.5	3.0*	7.1
	0	6.9*	6.9*	4.6	7.6	3.1	4.9		2.5	3.4*	6.9
	-1.5	8.6	10.5*	4.5	7.4*	3.1	4.9		2.8	4.3*	6.3
-3.0	8.1*	8.1*	4.6	5.9*				3.7	4.6*	5.3	
LC Blade up	7.5			5.2*	5.2*				3.4*	3.4*	3.8
	6.0								2.9*	2.9*	5.6
	4.5	7.1*	7.1*	5.7*	5.7*	3.8	5.0*		2.7*	2.7*	6.5
	3.0	10.3*	10.3*	5.7	6.7*	3.7	5.3*		2.8*	2.8*	7.0
	1.5			5.3	7.6*	3.5	5.1		2.7	3.0*	7.1
	0	6.9*	6.9*	5.0	7.8	3.4	5.0		2.8	3.4*	6.9
	-1.5	9.4	10.5*	5.0	7.4*	3.4	5.0		3.1	4.3*	6.3
-3.0	8.1*	8.1*	5.1	5.9*				4.1	4.6*	5.3	
LC Blade down	7.5			5.2*	5.2*				3.4*	3.4*	3.8
	6.0								2.9*	2.9*	5.6
	4.5	7.1*	7.1*	5.7*	5.7*	4.1	5.0*		2.7*	2.7*	6.5
	3.0	10.3*	10.3*	6.1	6.7*	3.9	5.3*		2.8*	2.8*	7.0
	1.5			5.6	7.6*	3.7	5.7*		2.9	3.0*	7.1
	0	6.9*	6.9*	5.4	7.9	3.6	5.8*		3.0	3.4*	6.9
	-1.5	10.2	10.5*	5.3	7.4*	3.6	5.4*		3.3	4.3*	6.3
-3.0	8.1*	8.1*	5.4	5.9*				4.3	4.6*	5.3	

Stick 2.45 m

Under-carriage	3.0 m		4.5 m		6.0 m		7.5 m		m		
	m	Icon	m	Icon	m	Icon	m	Icon	m	Icon	
NLC ¹⁾	7.5								3.0*	3.0*	4.2
	6.0								2.6*	2.6*	5.8
	4.5	6.7*	6.7*	4.9	5.4*	3.1	4.8*		2.5*	2.5*	6.7
	3.0	8.4	9.8*	4.5	6.5*	2.9	5.2		2.2	2.5*	7.2
	1.5			4.1	7.5*	2.7	5.0		2.0	2.7*	7.3
	0	6.8	7.2*	3.8	7.5	2.6	4.8		2.0	3.0*	7.1
	-1.5	6.9	10.8*	3.7	7.4	2.5	4.7		2.3	3.8*	6.6
-3.0	7.1	8.6*	3.8	6.1*				2.9	4.6*	5.6	
NLC ¹⁾ Blade up	7.5			4.9*	4.9*				3.0*	3.0*	4.2
	6.0								2.6*	2.6*	5.8
	4.5	6.7*	6.7*	5.3	5.4*	3.3	4.8*		2.5*	2.5*	6.7
	3.0	9.0	9.8*	4.9	6.5*	3.2	5.2*		2.4	2.5*	7.2
	1.5			4.4	7.5*	3.0	5.0		2.2	2.7*	7.3
	0	7.2*	7.2*	4.2	7.6	2.8	4.9		2.3	3.0*	7.1
	-1.5	7.5	10.8*	4.1	7.5	2.8	4.8		2.5	3.8*	6.6
-3.0	7.7	8.6*	4.2	6.1*				3.2	4.6*	5.6	
NLC ¹⁾ Blade down	7.5			4.9*	4.9*				3.0*	3.0*	4.2
	6.0								2.6*	2.6*	5.8
	4.5	6.7*	6.7*	5.4*	5.4*	3.5	4.8*		2.5*	2.5*	6.7
	3.0	9.5	9.8*	5.1	6.5*	3.3	5.2*		2.5	2.5*	7.2
	1.5			4.7	7.5*	3.1	5.6*		2.3	2.7*	7.3
	0	7.2*	7.2*	4.4	7.9	3.0	5.8*		2.4	3.0*	7.1
	-1.5	8.0	10.8*	4.3	7.5*	2.9	5.4*		2.6	3.8*	6.6
-3.0	8.2	8.6*	4.4	6.1*				3.3	4.6*	5.6	
LC	7.5			4.9*	4.9*				3.0*	3.0*	4.2
	6.0								2.6*	2.6*	5.8
	4.5	6.7*	6.7*	5.4*	5.4*	3.6	4.8*		2.5*	2.5*	6.7
	3.0	9.8*	9.8*	5.3	6.5*	3.4	5.2*		2.5*	2.5*	7.2
	1.5			4.8	7.5*	3.2	5.0		2.4	2.7*	7.3
	0	7.2*	7.2*	4.6	7.6	3.1	4.9		2.4	3.0*	7.1
	-1.5	8.5	10.8*	4.5	7.5	3.0	4.8		2.7	3.8*	6.6
-3.0	8.6*	8.6*	4.6	6.1*				3.4	4.6*	5.6	
LC Blade up	7.5			4.9*	4.9*				3.0*	3.0*	4.2
	6.0								2.6*	2.6*	5.8
	4.5	6.7*	6.7*	5.4*	5.4*	3.9	4.8*		2.5*	2.5*	6.7
	3.0	9.8*	9.8*	5.7	6.5*	3.7	5.2*		2.5*	2.5*	7.2
	1.5			5.3	7.5*	3.5	5.1		2.6	2.7*	7.3
	0	7.2*	7.2*	5.0	7.8	3.4	5.0		2.7	3.0*	7.1
	-1.5	9.3	10.8*	4.9	7.5*	3.3	4.9		3.0	3.8*	6.6
-3.0	8.6*	8.6*	5.0	6.1*				3.8	4.6*	5.6	
LC Blade down	7.5			4.9*	4.9*				3.0*	3.0*	4.2
	6.0								2.6*	2.6*	5.8
	4.5	6.7*	6.7*	5.4*	5.4*	4.1	4.8*		2.5*	2.5*	6.7
	3.0	9.8*	9.8*	6.1	6.5*	3.9	5.2*		2.5*	2.5*	7.2
	1.5			5.6	7.5*	3.7	5.6*		2.7*	2.7*	7.3
	0	7.2*	7.2*	5.4	7.9	3.6	5.8*		2.9	3.0*	7.1
	-1.5	10.1	10.8*	5.3	7.5*	3.5	5.4*		3.2	3.8*	6.6
-3.0	8.6*	8.6*	5.4	6.1*				4.0	4.6*	5.6	

Height Can be slewed through 360° In longitudinal position of undercarriage Max. reach * Limited by hydr. capacity

The load values are quoted in tons (t) at stick end (without bucket), and may be swung 360° on firm and even ground. Adjacent values are valid for the undercarriage when in the longitudinal position. Capacities are valid for 600 mm wide track pads. Indicated loads are based on ISO 10567 standard and do not exceed 75% of tipping or 87% of hydraulic capacity (indicated via *). Without bucket cylinder, link and lever the lift capacities will increase by 230 kg. Lifting capacity of the excavator is limited by machine stability and hydraulic capacity.

According to European Standard, EN 474-5: In the European Union excavators have to be equipped with an overload warning device, a load diagram and automatic safety check valves on hoist cylinders and stick cylinder(s), when they are used for lifting operations which require the use of lifting accessories.

¹⁾ Values are calculated with 500 mm wide track pads for the NLC-Undercarriage

Stick 2.65 m

Under-carriage	3.0 m		4.5 m		6.0 m		7.5 m		m			
NLC ¹⁾	7.5		2.7*	2.7*					2.7*	2.7*	4.5	
	6.0		4.7*	4.7*	2.4*	2.4*			2.3*	2.3*	6.0	
	4.5		5.0	5.2*	3.1	4.7*			2.2*	2.2*	6.9	
	3.0	8.5	9.2*	4.6	6.3*	2.9	5.1*			2.1	2.3*	7.3
	1.5	7.2*	7.2*	4.1	7.4*	2.7	5.0			1.9	2.4*	7.5
	0	6.8	7.4*	3.8	7.5	2.6	4.8			1.9	2.7*	7.3
	-1.5	6.8	10.7*	3.7	7.3	2.5	4.7			2.1	3.4*	6.8
	-3.0	7.0	9.0*	3.8	6.4*					2.7	4.5*	5.8
	NLC ¹⁾ Blade up	7.5		2.7*	2.7*					2.7*	2.7*	4.5
		6.0		4.7*	4.7*	2.4*	2.4*			2.3*	2.3*	6.0
4.5			5.2*	5.2*	3.3	4.7*			2.2*	2.2*	6.9	
3.0		9.2	9.2*	4.9	6.3*	3.2	5.1*			2.3	2.3*	7.3
1.5		7.2*	7.2*	4.5	7.4*	3.0	5.0			2.1	2.4*	7.5
0		7.4*	7.4*	4.2	7.6	2.8	4.9			2.1	2.7*	7.3
-1.5		7.4	10.7*	4.1	7.5	2.8	4.8			2.4	3.4*	6.8
-3.0		7.6	9.0*	4.1	6.4*					3.0	4.5*	5.8
NLC ¹⁾ Blade down		7.5		2.7*	2.7*					2.7*	2.7*	4.5
		6.0		4.7*	4.7*	2.4*	2.4*			2.3*	2.3*	6.0
	4.5		5.2*	5.2*	3.5	4.7*			2.2*	2.2*	6.9	
	3.0	9.2*	9.2*	5.2	6.3*	3.3	5.1*			2.3*	2.3*	7.3
	1.5	7.2*	7.2*	4.7	7.4*	3.1	5.5*			2.2	2.4*	7.5
	0	7.4*	7.4*	4.4	7.9*	3.0	5.8*			2.3	2.7*	7.3
	-1.5	7.9	10.7*	4.3	7.6*	2.9	5.5*			2.5	3.4*	6.8
	-3.0	8.1	9.0*	4.4	6.4*					3.1	4.5*	5.8
	LC	7.5		2.7*	2.7*					2.7*	2.7*	4.5
		6.0		4.7*	4.7*	2.4*	2.4*			2.3*	2.3*	6.0
4.5			5.2*	5.2*	3.6	4.7*			2.2*	2.2*	6.9	
3.0		9.2*	9.2*	5.3	6.3*	3.4	5.1*			2.3*	2.3*	7.3
1.5		7.2*	7.2*	4.9	7.4*	3.2	5.0			2.3	2.4*	7.5
0		7.4*	7.4*	4.5	7.6	3.0	4.9			2.3	2.7*	7.3
-1.5		8.4	10.7*	4.4	7.5	3.0	4.8			2.6	3.4*	6.8
-3.0		8.6	9.0*	4.5	6.4*					3.2	4.5*	5.8
LC Blade up		7.5		2.7*	2.7*					2.7*	2.7*	4.5
		6.0		4.7*	4.7*	2.4*	2.4*			2.3*	2.3*	6.0
	4.5		5.2*	5.2*	3.9	4.7*			2.2*	2.2*	6.9	
	3.0	9.2*	9.2*	5.8	6.3*	3.7	5.1*			2.3*	2.3*	7.3
	1.5	7.2*	7.2*	5.3	7.4*	3.5	5.1			2.4*	2.4*	7.5
	0	7.4*	7.4*	5.0	7.7	3.3	5.0			2.6	2.7*	7.3
	-1.5	9.2	10.7*	4.9	7.6*	3.3	4.9			2.8	3.4*	6.8
	-3.0	9.0*	9.0*	5.0	6.4*					3.5	4.5*	5.8
	LC Blade down	7.5		2.7*	2.7*					2.7*	2.7*	4.5
		6.0		4.7*	4.7*	2.4*	2.4*			2.3*	2.3*	6.0
4.5			5.2*	5.2*	4.1	4.7*			2.2*	2.2*	6.9	
3.0		9.2*	9.2*	6.2	6.3*	3.9	5.1*			2.3*	2.3*	7.3
1.5		7.2*	7.2*	5.7	7.4*	3.7	5.5*			2.4*	2.4*	7.5
0		7.4*	7.4*	5.4	7.9*	3.6	5.8*			2.7	2.7*	7.3
-1.5		10.0	10.7*	5.2	7.6*	3.5	5.5*			3.0	3.4*	6.8
-3.0		9.0*	9.0*	5.3	6.4*					3.8	4.5*	5.8

Height Can be slewed through 360° In longitudinal position of undercarriage Max. reach * Limited by hydr. capacity

The load values are quoted in tons (t) at stick end (without bucket), and may be swung 360° on firm and even ground. Adjacent values are valid for the undercarriage when in the longitudinal position. Capacities are valid for 600 mm wide track pads. Indicated loads are based on ISO 10567 standard and do not exceed 75% of tipping or 87% of hydraulic capacity (indicated via *). Without bucket cylinder, link and lever the lift capacities will increase by 230 kg. Lifting capacity of the excavator is limited by machine stability and hydraulic capacity.

According to European Standard, EN 474-5: In the European Union excavators have to be equipped with an overload warning device, a load diagram and automatic safety check valves on hoist cylinders and stick cylinder(s), when they are used for lifting operations which require the use of lifting accessories.

¹⁾ Values are calculated with 500 mm wide track pads for the NLC-Undercarriage

Lift Capacities

with Two-Piece Boom Offset 5.00 m, Counterweight 3.9 t and Track Pads 500 mm/600 mm

Stick 2.25 m												Stick 2.45 m																																																																																																																																																																																																																																																																																																																																																																																																																																																																																																																																																																																																																	
Under-carriage	3.0 m		4.5 m		6.0 m		7.5 m		m		m	Under-carriage	3.0 m		4.5 m		6.0 m		7.5 m		m		m																																																																																																																																																																																																																																																																																																																																																																																																																																																																																																																																																																																																						
	m	Height	Can be slewed through 360°	In longitudinal position of undercarriage	Max. reach	* Limited by hydr. capacity	m	Height	Can be slewed through 360°	In longitudinal position of undercarriage			Max. reach	* Limited by hydr. capacity	m	Height	Can be slewed through 360°	In longitudinal position of undercarriage	Max. reach	* Limited by hydr. capacity	m	Height		Can be slewed through 360°	In longitudinal position of undercarriage	Max. reach	* Limited by hydr. capacity																																																																																																																																																																																																																																																																																																																																																																																																																																																																																																																																																																																																		
NLC(1)	7.5								3.5*	3.5*	4.3	NLC(1)	7.5								3.6*	3.6*	4.6	6.0								2.9*	2.9*	5.8	4.5	8.3*	8.3*	5.1	6.3*	3.1	5.3*		2.4	2.7*	6.7	3.0	8.8	10.5*	5.0	7.1*	3.1	5.3		2.1	2.7*	7.2	1.5	8.7	11.3*	4.9	7.8	3.0	5.3		2.0	2.9*	7.3	0	8.7	12.4*	4.7	7.8	2.8	5.1		2.0	3.2*	7.1	-1.5	8.3	12.7*	4.4	8.2	2.7	4.9		2.3	3.8*	6.6	-3.0	8.0	12.4*	4.1	6.8*				3.0	3.8*	5.4	NLC(1) Blade up	7.5								3.5*	3.5*	4.3	NLC(1) Blade up	7.5								3.6*	3.6*	4.6	6.0			5.5	5.8*				2.9*	2.9*	5.8	4.5	8.3*	8.3*	5.4	6.3*	3.4	5.3*		2.7	2.7*	6.7	3.0	9.3	10.5*	5.3	7.1*	3.4	5.3		2.3	2.7*	7.2	1.5	9.2	11.3*	5.2	7.8*	3.3	5.3		2.2	2.9*	7.3	0	9.4	12.4*	5.1	7.9	3.1	5.2		2.2	3.2*	7.1	-1.5	8.9	12.7*	4.7	8.2*	2.9	5.0		2.5	3.8*	6.6	-3.0	8.6	12.4*	4.5	6.8*				3.3	3.8*	5.4	NLC(1) Blade down	7.5			5.8*	5.8*				3.5*	3.5*	4.3	NLC(1) Blade down	7.5								3.6*	3.6*	4.6	6.0			5.7	5.8*				2.9*	2.9*	5.8	4.5	8.3*	8.3*	5.6	6.3*	3.5	5.3*		2.7*	2.7*	6.7	3.0	9.7	10.5*	5.5	7.1*	3.5	5.5*		2.4	2.7*	7.2	1.5	9.6	11.3*	5.4	7.8*	3.4	5.8*		2.3	2.9*	7.3	0	9.8*	12.4*	5.3	7.9*	3.2	5.9*		2.3	3.2*	7.1	-1.5	9.4	12.7*	5.0	8.2*	3.1	5.5*		2.6	3.8*	6.6	-3.0	9.1	12.4*	4.7	6.8*				3.5	3.8*	5.4	LC	7.5								3.5*	3.5*	4.3	LC	7.5								3.6*	3.6*	4.6	6.0								2.9*	2.9*	5.8	4.5	8.3*	8.3*	5.8	6.3*	3.6	5.3*		2.7*	2.7*	6.7	3.0	10.1	10.5*	5.6	7.1*	3.6	5.3		2.5	2.7*	7.2	1.5	10.0	11.3*	5.6	7.8*	3.5	5.3		2.4	2.9*	7.3	0	10.2	12.4*	5.5	7.9*	3.3	5.2		2.4	3.2*	7.1	-1.5	10.0	12.7*	5.2	8.2*	3.2	5.0		2.7	3.8*	6.6	-3.0	9.7	12.4*	4.9	6.8*				3.6	3.8*	5.4	LC Blade up	7.5			5.8*	5.8*				3.5*	3.5*	4.3	LC Blade up	7.5								3.6*	3.6*	4.6	6.0			5.8*	5.8*				2.9*	2.9*	5.8	4.5	8.3*	8.3*	6.1	6.3*	3.9	5.3*		2.7*	2.7*	6.7	3.0	10.5*	10.5*	6.0	7.1*	3.9	5.4		2.7*	2.7*	7.2	1.5	10.6	11.3*	5.9	7.8*	3.8	5.4		2.6	2.9*	7.3	0	10.8	12.4*	6.0	7.9*	3.6	5.3		2.7	3.2*	7.1	-1.5	10.8	12.7*	5.6	8.2*	3.5	5.1		3.0	3.8*	6.6	-3.0	10.5	12.4*	5.3	6.8*				3.8*	3.8*	5.4	LC Blade down	7.5			5.8*	5.8*				3.5*	3.5*	4.3	LC Blade down	7.5								3.6*	3.6*	4.6	6.0			5.8*	5.8*				2.9*	2.9*	5.8	4.5	8.3*	8.3*	6.3*	6.3*	4.2	5.3*		2.7*	2.7*	6.7	3.0	10.5*	10.5*	6.3	7.1*	4.2	5.5*		2.7*	2.7*	7.2	1.5	11.2	11.3*	6.2	7.8*	4.0	5.8*		2.8	2.9*	7.3	0	11.4	12.4*	6.4	7.9*	3.9	5.9*		2.8	3.2*	7.1	-1.5	11.7	12.7*	6.0	8.2*	3.7	5.5*		3.2	3.8*	6.6	-3.0	11.4	12.4*	5.7	6.8*				3.8*	3.8*	5.4
	6.0								2.9*	2.9*	5.8		4.5	8.3*	8.3*	5.1	6.3*	3.1	5.3*		2.4	2.7*	6.7	3.0	8.8	10.5*	5.0	7.1*	3.1	5.3		2.1	2.7*	7.2	1.5	8.7	11.3*	4.9	7.8	3.0	5.3		2.0	2.9*	7.3	0	8.7	12.4*	4.7	7.8	2.8	5.1		2.0	3.2*	7.1	-1.5	8.3	12.7*	4.4	8.2	2.7	4.9		2.3	3.8*	6.6	-3.0	8.0	12.4*	4.1	6.8*				3.0	3.8*	5.4	NLC(1) Blade up	7.5								3.5*	3.5*	4.3	NLC(1) Blade up	7.5								3.6*		3.6*	4.6	6.0			5.5	5.8*				2.9*		2.9*	5.8	4.5	8.3*	8.3*	5.4	6.3*	3.4	5.3*		2.7	2.7*	6.7	3.0	9.3	10.5*	5.3	7.1*	3.4	5.3		2.3	2.7*	7.2	1.5	9.2	11.3*	5.2	7.8*	3.3	5.3		2.2	2.9*	7.3	0	9.4	12.4*	5.1	7.9	3.1	5.2		2.2	3.2*	7.1	-1.5	8.9	12.7*	4.7	8.2*	2.9	5.0		2.5	3.8*	6.6	-3.0	8.6	12.4*	4.5	6.8*				3.3	3.8*	5.4	NLC(1) Blade down	7.5			5.8*	5.8*				3.5*	3.5*	4.3	NLC(1) Blade down	7.5									3.6*	3.6*	4.6	6.0			5.7	5.8*					2.9*	2.9*	5.8	4.5	8.3*	8.3*	5.6	6.3*	3.5	5.3*		2.7*	2.7*	6.7	3.0	9.7	10.5*	5.5	7.1*	3.5	5.5*		2.4	2.7*	7.2	1.5	9.6	11.3*	5.4	7.8*	3.4	5.8*		2.3	2.9*	7.3	0	9.8*	12.4*	5.3	7.9*	3.2	5.9*		2.3	3.2*	7.1	-1.5	9.4	12.7*	5.0	8.2*	3.1	5.5*		2.6	3.8*	6.6	-3.0	9.1	12.4*	4.7	6.8*				3.5	3.8*	5.4	LC	7.5								3.5*	3.5*	4.3	LC	7.5									3.6*	3.6*	4.6	6.0									2.9*	2.9*	5.8	4.5	8.3*	8.3*	5.8	6.3*	3.6	5.3*		2.7*	2.7*	6.7	3.0	10.1	10.5*	5.6	7.1*	3.6	5.3		2.5	2.7*	7.2	1.5	10.0	11.3*	5.6	7.8*	3.5	5.3		2.4	2.9*	7.3	0	10.2	12.4*	5.5	7.9*	3.3	5.2		2.4	3.2*	7.1	-1.5	10.0	12.7*	5.2	8.2*	3.2	5.0		2.7	3.8*	6.6	-3.0	9.7	12.4*	4.9	6.8*				3.6	3.8*	5.4	LC Blade up	7.5			5.8*	5.8*				3.5*	3.5*	4.3	LC Blade up	7.5									3.6*	3.6*	4.6	6.0				5.8*	5.8*				2.9*	2.9*	5.8	4.5	8.3*	8.3*	6.1	6.3*	3.9	5.3*		2.7*	2.7*	6.7	3.0	10.5*	10.5*	6.0	7.1*	3.9	5.4		2.7*	2.7*	7.2	1.5	10.6	11.3*	5.9	7.8*	3.8	5.4		2.6	2.9*	7.3	0	10.8	12.4*	6.0	7.9*	3.6	5.3		2.7	3.2*	7.1	-1.5	10.8	12.7*	5.6	8.2*	3.5	5.1		3.0	3.8*	6.6	-3.0	10.5	12.4*	5.3	6.8*				3.8*	3.8*	5.4	LC Blade down	7.5			5.8*	5.8*				3.5*	3.5*	4.3	LC Blade down	7.5									3.6*	3.6*	4.6	6.0				5.8*	5.8*				2.9*	2.9*	5.8	4.5	8.3*	8.3*	6.3*	6.3*	4.2	5.3*		2.7*	2.7*	6.7	3.0	10.5*	10.5*	6.3	7.1*	4.2	5.5*		2.7*	2.7*	7.2	1.5	11.2	11.3*	6.2	7.8*	4.0	5.8*		2.8	2.9*	7.3	0	11.4	12.4*	6.4	7.9*	3.9	5.9*		2.8	3.2*	7.1	-1.5	11.7	12.7*	6.0	8.2*	3.7	5.5*		3.2	3.8*	6.6	-3.0	11.4	12.4*	5.7	6.8*				3.8*	3.8*	5.4												
	4.5	8.3*	8.3*	5.1	6.3*	3.1	5.3*		2.4	2.7*	6.7		3.0	8.8	10.5*	5.0	7.1*	3.1	5.3		2.1	2.7*	7.2	1.5	8.7	11.3*	4.9	7.8	3.0	5.3		2.0	2.9*	7.3	0	8.7	12.4*	4.7	7.8	2.8	5.1		2.0	3.2*	7.1	-1.5	8.3	12.7*	4.4	8.2	2.7	4.9		2.3	3.8*	6.6	-3.0	8.0	12.4*	4.1	6.8*				3.0	3.8*	5.4	NLC(1) Blade up	7.5								3.5*	3.5*		4.3	NLC(1) Blade up	7.5								3.6*		3.6*	4.6	6.0			5.5	5.8*					2.9*	2.9*	5.8	4.5	8.3*	8.3*	5.4	6.3*	3.4	5.3*			2.7	2.7*	6.7	3.0	9.3	10.5*	5.3	7.1*	3.4	5.3		2.3	2.7*	7.2	1.5	9.2	11.3*	5.2	7.8*	3.3	5.3		2.2	2.9*	7.3	0	9.4	12.4*	5.1	7.9	3.1	5.2		2.2	3.2*	7.1	-1.5	8.9	12.7*	4.7	8.2*	2.9	5.0		2.5	3.8*	6.6	-3.0	8.6	12.4*	4.5	6.8*				3.3	3.8*	5.4	NLC(1) Blade down	7.5			5.8*	5.8*					3.5*	3.5*	4.3	NLC(1) Blade down	7.5									3.6*	3.6*	4.6	6.0				5.7	5.8*				2.9*	2.9*	5.8	4.5	8.3*	8.3*		5.6	6.3*	3.5	5.3*		2.7*	2.7*	6.7	3.0	9.7	10.5*	5.5	7.1*	3.5	5.5*		2.4	2.7*	7.2	1.5	9.6	11.3*	5.4	7.8*	3.4	5.8*		2.3	2.9*	7.3	0	9.8*	12.4*	5.3	7.9*	3.2	5.9*		2.3	3.2*	7.1	-1.5	9.4	12.7*	5.0	8.2*	3.1	5.5*		2.6	3.8*	6.6	-3.0	9.1	12.4*	4.7	6.8*				3.5	3.8*	5.4	LC	7.5									3.5*	3.5*	4.3	LC	7.5									3.6*	3.6*		4.6	6.0								2.9*	2.9*		5.8	4.5	8.3*	8.3*	5.8	6.3*	3.6	5.3*		2.7*	2.7*	6.7	3.0	10.1	10.5*	5.6	7.1*	3.6	5.3		2.5	2.7*	7.2	1.5	10.0	11.3*	5.6	7.8*	3.5	5.3		2.4	2.9*	7.3	0	10.2	12.4*	5.5	7.9*	3.3	5.2		2.4	3.2*	7.1	-1.5	10.0	12.7*	5.2	8.2*	3.2	5.0		2.7	3.8*	6.6	-3.0	9.7	12.4*	4.9	6.8*				3.6	3.8*	5.4	LC Blade up	7.5			5.8*		5.8*				3.5*	3.5*	4.3	LC Blade up	7.5										3.6*	3.6*	4.6	6.0			5.8*	5.8*					2.9*	2.9*	5.8	4.5	8.3*	8.3*	6.1	6.3*	3.9	5.3*		2.7*	2.7*	6.7	3.0	10.5*	10.5*	6.0	7.1*	3.9	5.4		2.7*	2.7*	7.2	1.5	10.6	11.3*	5.9	7.8*	3.8	5.4		2.6	2.9*	7.3	0	10.8	12.4*	6.0	7.9*	3.6	5.3		2.7	3.2*	7.1	-1.5	10.8	12.7*	5.6	8.2*	3.5	5.1		3.0	3.8*	6.6	-3.0	10.5	12.4*	5.3	6.8*				3.8*	3.8*	5.4	LC Blade down	7.5				5.8*	5.8*				3.5*	3.5*	4.3	LC Blade down	7.5										3.6*	3.6*	4.6	6.0				5.8*	5.8*				2.9*	2.9*	5.8	4.5	8.3*	8.3*	6.3*	6.3*	4.2	5.3*		2.7*	2.7*	6.7	3.0	10.5*	10.5*	6.3	7.1*	4.2	5.5*		2.7*	2.7*	7.2	1.5	11.2	11.3*	6.2	7.8*	4.0	5.8*		2.8	2.9*	7.3	0	11.4	12.4*	6.4	7.9*	3.9	5.9*		2.8	3.2*	7.1	-1.5	11.7	12.7*	6.0	8.2*	3.7	5.5*		3.2	3.8*	6.6	-3.0	11.4	12.4*	5.7	6.8*				3.8*	3.8*	5.4													
	3.0	8.8	10.5*	5.0	7.1*	3.1	5.3		2.1	2.7*	7.2		1.5	8.7	11.3*	4.9	7.8	3.0	5.3		2.0	2.9*	7.3	0	8.7	12.4*	4.7	7.8	2.8	5.1		2.0	3.2*	7.1	-1.5	8.3	12.7*	4.4	8.2	2.7	4.9		2.3	3.8*	6.6	-3.0	8.0	12.4*	4.1	6.8*				3.0	3.8*	5.4	NLC(1) Blade up	7.5								3.5*	3.5*		4.3	NLC(1) Blade up	7.5									3.6*		3.6*	4.6	6.0			5.5	5.8*					2.9*	2.9*	5.8	4.5	8.3*	8.3*	5.4	6.3*		3.4	5.3*		2.7	2.7*	6.7	3.0	9.3	10.5*	5.3	7.1*		3.4	5.3		2.3	2.7*	7.2	1.5	9.2	11.3*	5.2	7.8*	3.3	5.3		2.2	2.9*	7.3	0	9.4	12.4*	5.1	7.9	3.1	5.2		2.2	3.2*	7.1	-1.5	8.9	12.7*	4.7	8.2*	2.9	5.0		2.5	3.8*	6.6	-3.0	8.6	12.4*	4.5	6.8*				3.3	3.8*	5.4	NLC(1) Blade down	7.5			5.8*	5.8*					3.5*	3.5*	4.3	NLC(1) Blade down	7.5										3.6*	3.6*	4.6	6.0				5.7	5.8*				2.9*	2.9*		5.8	4.5	8.3*	8.3*	5.6	6.3*	3.5	5.3*		2.7*	2.7*		6.7	3.0	9.7	10.5*	5.5	7.1*	3.5	5.5*		2.4	2.7*	7.2	1.5	9.6	11.3*	5.4	7.8*	3.4	5.8*		2.3	2.9*	7.3	0	9.8*	12.4*	5.3	7.9*	3.2	5.9*		2.3	3.2*	7.1	-1.5	9.4	12.7*	5.0	8.2*	3.1	5.5*		2.6	3.8*	6.6	-3.0	9.1	12.4*	4.7	6.8*				3.5	3.8*	5.4	LC	7.5									3.5*	3.5*	4.3	LC		7.5									3.6*	3.6*		4.6	6.0									2.9*	2.9*	5.8	4.5	8.3*	8.3*	5.8		6.3*	3.6	5.3*		2.7*	2.7*	6.7	3.0	10.1	10.5*	5.6	7.1*	3.6	5.3		2.5	2.7*	7.2	1.5	10.0	11.3*	5.6	7.8*	3.5	5.3		2.4	2.9*	7.3	0	10.2	12.4*	5.5	7.9*	3.3	5.2		2.4	3.2*	7.1	-1.5	10.0	12.7*	5.2	8.2*	3.2	5.0		2.7	3.8*	6.6	-3.0	9.7	12.4*	4.9	6.8*				3.6	3.8*	5.4	LC Blade up	7.5			5.8*		5.8*					3.5*	3.5*	4.3	LC Blade up	7.5										3.6*		3.6*	4.6	6.0			5.8*	5.8*				2.9*		2.9*	5.8	4.5	8.3*	8.3*	6.1	6.3*	3.9	5.3*		2.7*	2.7*	6.7	3.0	10.5*	10.5*	6.0	7.1*	3.9	5.4		2.7*	2.7*	7.2	1.5	10.6	11.3*	5.9	7.8*	3.8	5.4		2.6	2.9*	7.3	0	10.8	12.4*	6.0	7.9*	3.6	5.3		2.7	3.2*	7.1	-1.5	10.8	12.7*	5.6	8.2*	3.5	5.1		3.0	3.8*	6.6	-3.0	10.5	12.4*	5.3	6.8*				3.8*	3.8*	5.4	LC Blade down	7.5				5.8*		5.8*				3.5*	3.5*	4.3	LC Blade down	7.5											3.6*	3.6*	4.6	6.0				5.8*	5.8*				2.9*	2.9*	5.8	4.5	8.3*	8.3*	6.3*	6.3*	4.2	5.3*		2.7*	2.7*	6.7	3.0	10.5*	10.5*	6.3	7.1*	4.2	5.5*		2.7*	2.7*	7.2	1.5	11.2	11.3*	6.2	7.8*	4.0	5.8*		2.8	2.9*	7.3	0	11.4	12.4*	6.4	7.9*	3.9	5.9*		2.8	3.2*	7.1	-1.5	11.7	12.7*	6.0	8.2*	3.7	5.5*		3.2	3.8*	6.6	-3.0	11.4	12.4*	5.7	6.8*				3.8*	3.8*	5.4														
	1.5	8.7	11.3*	4.9	7.8	3.0	5.3		2.0	2.9*	7.3		0	8.7	12.4*	4.7	7.8	2.8	5.1		2.0	3.2*	7.1	-1.5	8.3	12.7*	4.4	8.2	2.7	4.9		2.3	3.8*	6.6	-3.0	8.0	12.4*	4.1	6.8*				3.0	3.8*	5.4	NLC(1) Blade up	7.5								3.5*	3.5*		4.3	NLC(1) Blade up	7.5									3.6*		3.6*	4.6	6.0			5.5	5.8*						2.9*	2.9*	5.8	4.5	8.3*	8.3*	5.4	6.3*		3.4	5.3*		2.7	2.7*	6.7	3.0	9.3	10.5*		5.3	7.1*	3.4	5.3		2.3	2.7*	7.2	1.5	9.2	11.3*		5.2	7.8*	3.3	5.3		2.2	2.9*	7.3	0	9.4	12.4*	5.1	7.9	3.1	5.2		2.2	3.2*	7.1	-1.5	8.9	12.7*	4.7	8.2*	2.9	5.0		2.5	3.8*	6.6	-3.0	8.6	12.4*	4.5	6.8*				3.3	3.8*	5.4	NLC(1) Blade down	7.5			5.8*	5.8*					3.5*	3.5*	4.3	NLC(1) Blade down	7.5										3.6*	3.6*	4.6		6.0				5.7	5.8*				2.9*	2.9*		5.8	4.5	8.3*	8.3*	5.6	6.3*	3.5		5.3*		2.7*	2.7*	6.7	3.0	9.7	10.5*	5.5	7.1*	3.5		5.5*		2.4	2.7*	7.2	1.5	9.6	11.3*	5.4	7.8*	3.4	5.8*		2.3	2.9*	7.3	0	9.8*	12.4*	5.3	7.9*	3.2	5.9*		2.3	3.2*	7.1	-1.5	9.4	12.7*	5.0	8.2*	3.1	5.5*		2.6	3.8*	6.6	-3.0	9.1	12.4*	4.7	6.8*				3.5	3.8*	5.4	LC	7.5									3.5*	3.5*	4.3	LC		7.5										3.6*	3.6*		4.6	6.0									2.9*		2.9*	5.8	4.5	8.3*	8.3*	5.8	6.3*	3.6	5.3*		2.7*		2.7*	6.7	3.0	10.1	10.5*	5.6	7.1*	3.6	5.3		2.5	2.7*	7.2	1.5	10.0	11.3*	5.6	7.8*	3.5	5.3		2.4	2.9*	7.3	0	10.2	12.4*	5.5	7.9*	3.3	5.2		2.4	3.2*	7.1	-1.5	10.0	12.7*	5.2	8.2*	3.2	5.0		2.7	3.8*	6.6	-3.0	9.7	12.4*	4.9	6.8*				3.6	3.8*	5.4	LC Blade up	7.5			5.8*		5.8*					3.5*	3.5*	4.3	LC Blade up		7.5										3.6*		3.6*	4.6	6.0				5.8*	5.8*				2.9*	2.9*	5.8	4.5		8.3*	8.3*	6.1	6.3*	3.9	5.3*		2.7*	2.7*	6.7	3.0	10.5*	10.5*	6.0	7.1*	3.9	5.4		2.7*	2.7*	7.2	1.5	10.6	11.3*	5.9	7.8*	3.8	5.4		2.6	2.9*	7.3	0	10.8	12.4*	6.0	7.9*	3.6	5.3		2.7	3.2*	7.1	-1.5	10.8	12.7*	5.6	8.2*	3.5	5.1		3.0	3.8*	6.6	-3.0	10.5	12.4*	5.3	6.8*				3.8*	3.8*	5.4	LC Blade down	7.5				5.8*		5.8*					3.5*	3.5*	4.3	LC Blade down	7.5												3.6*	3.6*	4.6	6.0			5.8*		5.8*				2.9*	2.9*	5.8	4.5	8.3*	8.3*	6.3*	6.3*	4.2	5.3*		2.7*	2.7*	6.7	3.0	10.5*	10.5*	6.3	7.1*	4.2	5.5*		2.7*	2.7*	7.2	1.5	11.2	11.3*	6.2	7.8*	4.0	5.8*		2.8	2.9*	7.3	0	11.4	12.4*	6.4	7.9*	3.9	5.9*		2.8	3.2*	7.1	-1.5	11.7	12.7*	6.0	8.2*	3.7	5.5*		3.2	3.8*	6.6	-3.0	11.4	12.4*	5.7	6.8*				3.8*	3.8*	5.4															
	0	8.7	12.4*	4.7	7.8	2.8	5.1		2.0	3.2*	7.1		-1.5	8.3	12.7*	4.4	8.2	2.7	4.9		2.3	3.8*	6.6	-3.0	8.0	12.4*	4.1	6.8*				3.0	3.8*	5.4	NLC(1) Blade up	7.5								3.5*	3.5*		4.3	NLC(1) Blade up	7.5									3.6*		3.6*	4.6	6.0			5.5	5.8*						2.9*	2.9*	5.8	4.5	8.3*	8.3*	5.4		6.3*		3.4	5.3*		2.7	2.7*	6.7	3.0	9.3	10.5*		5.3	7.1*	3.4	5.3		2.3	2.7*	7.2	1.5		9.2	11.3*	5.2	7.8*	3.3	5.3		2.2	2.9*	7.3	0		9.4	12.4*	5.1	7.9	3.1	5.2		2.2	3.2*	7.1	-1.5	8.9	12.7*	4.7	8.2*	2.9	5.0		2.5	3.8*	6.6	-3.0	8.6	12.4*	4.5	6.8*				3.3	3.8*	5.4	NLC(1) Blade down	7.5			5.8*	5.8*					3.5*	3.5*	4.3	NLC(1) Blade down	7.5										3.6*	3.6*	4.6		6.0				5.7	5.8*					2.9*	2.9*		5.8	4.5	8.3*	8.3*	5.6	6.3*	3.5		5.3*		2.7*	2.7*	6.7	3.0	9.7		10.5*	5.5	7.1*	3.5	5.5*		2.4	2.7*	7.2	1.5	9.6		11.3*	5.4	7.8*	3.4	5.8*		2.3	2.9*	7.3	0	9.8*	12.4*	5.3	7.9*	3.2	5.9*		2.3	3.2*	7.1	-1.5	9.4	12.7*	5.0	8.2*	3.1	5.5*		2.6	3.8*	6.6	-3.0	9.1	12.4*	4.7	6.8*				3.5	3.8*	5.4	LC	7.5									3.5*	3.5*	4.3	LC		7.5										3.6*	3.6*			4.6	6.0									2.9*		2.9*	5.8	4.5	8.3*	8.3*		5.8	6.3*	3.6	5.3*		2.7*	2.7*	6.7	3.0	10.1	10.5*		5.6	7.1*	3.6	5.3		2.5	2.7*	7.2	1.5	10.0	11.3*	5.6	7.8*	3.5	5.3		2.4	2.9*	7.3	0	10.2	12.4*	5.5	7.9*	3.3	5.2		2.4	3.2*	7.1	-1.5	10.0	12.7*	5.2	8.2*	3.2	5.0		2.7	3.8*	6.6	-3.0	9.7	12.4*	4.9	6.8*				3.6	3.8*	5.4	LC Blade up	7.5			5.8*		5.8*					3.5*	3.5*	4.3	LC Blade up		7.5											3.6*		3.6*	4.6	6.0				5.8*		5.8*				2.9*	2.9*	5.8	4.5	8.3*	8.3*	6.1		6.3*	3.9	5.3*		2.7*	2.7*	6.7	3.0	10.5*	10.5*	6.0	7.1*	3.9	5.4		2.7*	2.7*	7.2	1.5	10.6	11.3*	5.9	7.8*	3.8	5.4		2.6	2.9*	7.3	0	10.8	12.4*	6.0	7.9*	3.6	5.3		2.7	3.2*	7.1	-1.5	10.8	12.7*	5.6	8.2*	3.5	5.1		3.0	3.8*	6.6	-3.0	10.5	12.4*	5.3	6.8*				3.8*	3.8*	5.4	LC Blade down	7.5				5.8*		5.8*						3.5*	3.5*	4.3	LC Blade down	7.5													3.6*	3.6*	4.6	6.0			5.8*	5.8*					2.9*	2.9*	5.8	4.5	8.3*	8.3*	6.3*	6.3*	4.2	5.3*		2.7*	2.7*	6.7	3.0	10.5*	10.5*	6.3	7.1*	4.2	5.5*		2.7*	2.7*	7.2	1.5	11.2	11.3*	6.2	7.8*	4.0	5.8*		2.8	2.9*	7.3	0	11.4	12.4*	6.4	7.9*	3.9	5.9*		2.8	3.2*	7.1	-1.5	11.7	12.7*	6.0	8.2*	3.7	5.5*		3.2	3.8*	6.6	-3.0	11.4	12.4*	5.7	6.8*				3.8*	3.8*	5.4																
	-1.5	8.3	12.7*	4.4	8.2	2.7	4.9		2.3	3.8*	6.6		-3.0	8.0	12.4*	4.1	6.8*				3.0	3.8*	5.4	NLC(1) Blade up	7.5								3.5*	3.5*		4.3	NLC(1) Blade up	7.5									3.6*		3.6*	4.6	6.0			5.5	5.8*						2.9*	2.9*	5.8	4.5	8.3*	8.3*	5.4		6.3*		3.4	5.3*		2.7	2.7*	6.7	3.0	9.3		10.5*		5.3	7.1*	3.4	5.3		2.3	2.7*	7.2	1.5		9.2	11.3*	5.2	7.8*	3.3	5.3		2.2	2.9*		7.3	0	9.4	12.4*	5.1	7.9	3.1	5.2		2.2	3.2*		7.1	-1.5	8.9	12.7*	4.7	8.2*	2.9	5.0		2.5	3.8*	6.6	-3.0	8.6	12.4*	4.5	6.8*				3.3	3.8*	5.4	NLC(1) Blade down	7.5			5.8*	5.8*					3.5*	3.5*	4.3	NLC(1) Blade down	7.5										3.6*	3.6*	4.6		6.0				5.7	5.8*					2.9*	2.9*		5.8	4.5	8.3*	8.3*		5.6	6.3*	3.5		5.3*		2.7*	2.7*	6.7	3.0	9.7		10.5*	5.5	7.1*	3.5	5.5*		2.4		2.7*	7.2	1.5	9.6	11.3*	5.4	7.8*	3.4	5.8*		2.3		2.9*	7.3	0	9.8*	12.4*	5.3	7.9*	3.2	5.9*		2.3	3.2*	7.1	-1.5	9.4	12.7*	5.0	8.2*	3.1	5.5*		2.6	3.8*	6.6	-3.0	9.1	12.4*	4.7	6.8*				3.5	3.8*	5.4	LC	7.5									3.5*	3.5*	4.3	LC		7.5										3.6*	3.6*			4.6	6.0										2.9*		2.9*	5.8	4.5	8.3*	8.3*		5.8	6.3*	3.6	5.3*			2.7*	2.7*	6.7	3.0	10.1	10.5*	5.6	7.1*	3.6	5.3			2.5	2.7*	7.2	1.5	10.0	11.3*	5.6	7.8*	3.5	5.3		2.4	2.9*	7.3	0	10.2	12.4*	5.5	7.9*	3.3	5.2		2.4	3.2*	7.1	-1.5	10.0	12.7*	5.2	8.2*	3.2	5.0		2.7	3.8*	6.6	-3.0	9.7	12.4*	4.9	6.8*				3.6	3.8*	5.4	LC Blade up	7.5			5.8*		5.8*					3.5*	3.5*	4.3	LC Blade up		7.5												3.6*		3.6*	4.6	6.0				5.8*		5.8*					2.9*	2.9*	5.8	4.5	8.3*	8.3*	6.1	6.3*	3.9	5.3*			2.7*	2.7*	6.7	3.0	10.5*	10.5*	6.0	7.1*	3.9	5.4		2.7*	2.7*	7.2	1.5	10.6	11.3*	5.9	7.8*	3.8	5.4		2.6	2.9*	7.3	0	10.8	12.4*	6.0	7.9*	3.6	5.3		2.7	3.2*	7.1	-1.5	10.8	12.7*	5.6	8.2*	3.5	5.1		3.0	3.8*	6.6	-3.0	10.5	12.4*	5.3	6.8*				3.8*	3.8*	5.4	LC Blade down	7.5				5.8*		5.8*						3.5*	3.5*		4.3	LC Blade down	7.5														3.6*	3.6*	4.6	6.0			5.8*	5.8*					2.9*	2.9*	5.8	4.5	8.3*	8.3*	6.3*	6.3*	4.2	5.3*		2.7*	2.7*	6.7	3.0	10.5*	10.5*	6.3	7.1*	4.2	5.5*		2.7*	2.7*	7.2	1.5	11.2	11.3*	6.2	7.8*	4.0	5.8*		2.8	2.9*	7.3	0	11.4	12.4*	6.4	7.9*	3.9	5.9*		2.8	3.2*	7.1	-1.5	11.7	12.7*	6.0	8.2*	3.7	5.5*		3.2	3.8*	6.6	-3.0	11.4	12.4*	5.7	6.8*				3.8*	3.8*	5.4																	
-3.0	8.0	12.4*	4.1	6.8*				3.0	3.8*	5.4	NLC(1) Blade up	7.5								3.5*	3.5*	4.3	NLC(1) Blade up		7.5								3.6*	3.6*		4.6		6.0			5.5	5.8*					2.9*		2.9*	5.8	4.5	8.3*	8.3*	5.4	6.3*	3.4		5.3*			2.7	2.7*	6.7	3.0	9.3	10.5*	5.3		7.1*		3.4	5.3		2.3	2.7*	7.2	1.5	9.2		11.3*		5.2	7.8*	3.3	5.3		2.2	2.9*	7.3	0		9.4	12.4*	5.1	7.9	3.1	5.2		2.2	3.2*	7.1	-1.5	8.9	12.7*	4.7	8.2*	2.9	5.0		2.5	3.8*	6.6	-3.0	8.6	12.4*	4.5	6.8*				3.3	3.8*	5.4	NLC(1) Blade down	7.5			5.8*	5.8*				3.5*	3.5*	4.3	NLC(1) Blade down		7.5									3.6*	3.6*	4.6		6.0			5.7		5.8*					2.9*	2.9*	5.8		4.5	8.3*	8.3*		5.6	6.3*	3.5	5.3*			2.7*	2.7*		6.7	3.0	9.7	10.5*		5.5	7.1*	3.5		5.5*		2.4	2.7*	7.2	1.5	9.6		11.3*	5.4	7.8*	3.4	5.8*		2.3	2.9*	7.3	0	9.8*	12.4*	5.3	7.9*	3.2	5.9*		2.3	3.2*	7.1	-1.5	9.4	12.7*	5.0	8.2*	3.1	5.5*		2.6	3.8*	6.6	-3.0	9.1	12.4*	4.7	6.8*				3.5	3.8*	5.4	LC	7.5								3.5*	3.5*	4.3	LC		7.5									3.6*	3.6*	4.6			6.0										2.9*	2.9*			5.8	4.5	8.3*	8.3*	5.8			6.3*	3.6	5.3*		2.7*		2.7*	6.7	3.0	10.1	10.5*		5.6	7.1*	3.6	5.3		2.5	2.7*	7.2	1.5	10.0	11.3*	5.6	7.8*	3.5	5.3		2.4	2.9*	7.3	0	10.2	12.4*	5.5	7.9*	3.3	5.2		2.4	3.2*	7.1	-1.5	10.0	12.7*	5.2	8.2*	3.2	5.0		2.7	3.8*	6.6	-3.0	9.7	12.4*	4.9	6.8*				3.6	3.8*	5.4	LC Blade up	7.5			5.8*	5.8*				3.5*	3.5*	4.3	LC Blade up		7.5										3.6*	3.6*	4.6			6.0					5.8*	5.8*						2.9*		2.9*	5.8	4.5		8.3*	8.3*	6.1		6.3*	3.9	5.3*		2.7*	2.7*	6.7	3.0	10.5*	10.5*	6.0	7.1*	3.9	5.4		2.7*	2.7*	7.2	1.5	10.6	11.3*	5.9	7.8*	3.8	5.4		2.6	2.9*	7.3	0	10.8	12.4*	6.0	7.9*	3.6	5.3		2.7	3.2*	7.1	-1.5	10.8	12.7*	5.6	8.2*	3.5	5.1		3.0	3.8*	6.6	-3.0	10.5	12.4*	5.3	6.8*				3.8*	3.8*	5.4	LC Blade down	7.5			5.8*	5.8*				3.5*	3.5*	4.3	LC Blade down		7.5												3.6*	3.6*		4.6		6.0						5.8*		5.8*					2.9*	2.9*	5.8	4.5	8.3*	8.3*	6.3*	6.3*	4.2	5.3*		2.7*	2.7*	6.7	3.0	10.5*	10.5*	6.3	7.1*	4.2	5.5*		2.7*	2.7*	7.2	1.5	11.2	11.3*	6.2	7.8*	4.0	5.8*		2.8	2.9*	7.3	0	11.4	12.4*	6.4	7.9*	3.9	5.9*		2.8	3.2*	7.1	-1.5	11.7	12.7*	6.0	8.2*	3.7	5.5*		3.2	3.8*	6.6	-3.0	11.4	12.4*	5.7	6.8*				3.8*	3.8*	5.4																														
NLC(1) Blade up	7.5								3.5*	3.5*		4.3	NLC(1) Blade up	7.5								3.6*			3.6*	4.6	6.0			5.5	5.8*					2.9*		2.9*	5.8	4.5	8.3*	8.3*	5.4	6.3*	3.4		5.3*			2.7	2.7*	6.7	3.0	9.3	10.5*	5.3		7.1*		3.4	5.3		2.3	2.7*	7.2	1.5	9.2		11.3*		5.2	7.8*	3.3	5.3		2.2	2.9*	7.3	0	9.4		12.4*	5.1	7.9	3.1	5.2		2.2	3.2*	7.1	-1.5	8.9	12.7*	4.7	8.2*	2.9	5.0		2.5	3.8*	6.6	-3.0	8.6	12.4*	4.5	6.8*				3.3	3.8*	5.4	NLC(1) Blade down	7.5			5.8*	5.8*				3.5*	3.5*		4.3	NLC(1) Blade down	7.5								3.6*			3.6*	4.6	6.0			5.7	5.8*					2.9*		2.9*	5.8	4.5	8.3*		8.3*	5.6	6.3*		3.5	5.3*		2.7*		2.7*	6.7	3.0		9.7	10.5*	5.5	7.1*		3.5	5.5*			2.4	2.7*	7.2	1.5	9.6	11.3*	5.4	7.8*		3.4	5.8*		2.3	2.9*	7.3	0	9.8*	12.4*	5.3	7.9*	3.2	5.9*		2.3	3.2*	7.1	-1.5	9.4	12.7*	5.0	8.2*	3.1	5.5*		2.6	3.8*	6.6	-3.0	9.1	12.4*	4.7	6.8*				3.5	3.8*	5.4	LC	7.5								3.5*	3.5*		4.3	LC	7.5								3.6*			3.6*	4.6	6.0									2.9*			2.9*	5.8	4.5	8.3*	8.3*			5.8	6.3*	3.6	5.3*				2.7*	2.7*	6.7	3.0	10.1		10.5*	5.6	7.1*	3.6	5.3			2.5	2.7*	7.2	1.5	10.0	11.3*	5.6	7.8*	3.5	5.3		2.4	2.9*	7.3	0	10.2	12.4*	5.5	7.9*	3.3	5.2		2.4	3.2*	7.1	-1.5	10.0	12.7*	5.2	8.2*	3.2	5.0		2.7	3.8*	6.6	-3.0	9.7	12.4*	4.9	6.8*				3.6	3.8*	5.4	LC Blade up	7.5			5.8*	5.8*				3.5*	3.5*		4.3	LC Blade up	7.5								3.6*			3.6*	4.6	6.0				5.8*	5.8*					2.9*			2.9*	5.8	4.5			8.3*	8.3*	6.1		6.3*	3.9	5.3*			2.7*	2.7*	6.7		3.0	10.5*	10.5*	6.0	7.1*	3.9	5.4		2.7*	2.7*	7.2	1.5	10.6	11.3*	5.9	7.8*	3.8	5.4		2.6	2.9*	7.3	0	10.8	12.4*	6.0	7.9*	3.6	5.3		2.7	3.2*	7.1	-1.5	10.8	12.7*	5.6	8.2*	3.5	5.1		3.0	3.8*	6.6	-3.0	10.5	12.4*	5.3	6.8*				3.8*	3.8*	5.4	LC Blade down	7.5			5.8*	5.8*				3.5*	3.5*		4.3	LC Blade down	7.5								3.6*			3.6*	4.6		6.0				5.8*		5.8*					2.9*	2.9*		5.8		4.5		8.3*		8.3*		6.3*	6.3*	4.2	5.3*		2.7*	2.7*	6.7	3.0	10.5*	10.5*	6.3	7.1*	4.2	5.5*		2.7*	2.7*	7.2	1.5	11.2	11.3*	6.2	7.8*	4.0	5.8*		2.8	2.9*	7.3	0	11.4	12.4*	6.4	7.9*	3.9	5.9*		2.8	3.2*	7.1	-1.5	11.7	12.7*	6.0	8.2*	3.7	5.5*		3.2	3.8*	6.6	-3.0	11.4	12.4*	5.7	6.8*				3.8*	3.8*	5.4																																									
	6.0			5.5	5.8*				2.9*	2.9*		5.8		4.5	8.3*	8.3*	5.4	6.3*	3.4	5.3*		2.7			2.7*	6.7	3.0	9.3	10.5*	5.3	7.1*	3.4	5.3			2.3		2.7*	7.2	1.5	9.2	11.3*	5.2	7.8*	3.3		5.3			2.2	2.9*	7.3	0	9.4	12.4*	5.1		7.9		3.1	5.2		2.2	3.2*	7.1	-1.5	8.9	12.7*	4.7		8.2*	2.9	5.0		2.5	3.8*	6.6	-3.0	8.6	12.4*	4.5	6.8*				3.3	3.8*	5.4	NLC(1) Blade down	7.5			5.8*	5.8*				3.5*	3.5*	4.3	NLC(1) Blade down	7.5								3.6*	3.6*	4.6		6.0			5.7	5.8*				2.9*	2.9*		5.8		4.5	8.3*	8.3*	5.6	6.3*	3.5	5.3*		2.7*			2.7*	6.7	3.0	9.7	10.5*	5.5	7.1*	3.5		5.5*		2.4		2.7*	7.2	1.5	9.6		11.3*	5.4	7.8*		3.4	5.8*		2.3		2.9*	7.3	0		9.8*	12.4*	5.3	7.9*	3.2	5.9*		2.3		3.2*	7.1	-1.5	9.4	12.7*	5.0	8.2*	3.1	5.5*		2.6	3.8*	6.6	-3.0	9.1	12.4*	4.7	6.8*				3.5	3.8*	5.4	LC	7.5								3.5*	3.5*	4.3	LC	7.5								3.6*	3.6*	4.6		6.0								2.9*	2.9*		5.8		4.5	8.3*	8.3*	5.8	6.3*	3.6	5.3*		2.7*			2.7*	6.7	3.0	10.1	10.5*	5.6		7.1*	3.6	5.3		2.5			2.7*	7.2	1.5	10.0	11.3*			5.6	7.8*	3.5	5.3			2.4	2.9*	7.3	0	10.2	12.4*		5.5	7.9*	3.3	5.2		2.4	3.2*	7.1	-1.5	10.0	12.7*	5.2	8.2*	3.2	5.0		2.7	3.8*	6.6	-3.0	9.7	12.4*	4.9	6.8*				3.6	3.8*	5.4	LC Blade up	7.5			5.8*	5.8*				3.5*	3.5*	4.3	LC Blade up	7.5								3.6*	3.6*	4.6		6.0			5.8*	5.8*				2.9*	2.9*		5.8		4.5	8.3*	8.3*	6.1	6.3*	3.9	5.3*		2.7*			2.7*	6.7	3.0	10.5*		10.5*	6.0	7.1*	3.9		5.4		2.7*			2.7*	7.2	1.5		10.6	11.3*	5.9	7.8*		3.8	5.4		2.6		2.9*	7.3	0	10.8	12.4*	6.0	7.9*	3.6	5.3		2.7	3.2*	7.1	-1.5	10.8	12.7*	5.6	8.2*	3.5	5.1		3.0	3.8*	6.6	-3.0	10.5	12.4*	5.3	6.8*				3.8*	3.8*	5.4	LC Blade down	7.5			5.8*	5.8*				3.5*	3.5*	4.3	LC Blade down	7.5								3.6*	3.6*	4.6		6.0			5.8*	5.8*				2.9*	2.9*		5.8		4.5	8.3*	8.3*	6.3*	6.3*	4.2	5.3*		2.7*			2.7*	6.7		3.0	10.5*		10.5*	6.3		7.1*	4.2	5.5*		2.7*	2.7*	7.2		1.5		11.2		11.3*		6.2	7.8*	4.0	5.8*		2.8	2.9*	7.3	0	11.4	12.4*	6.4	7.9*	3.9	5.9*		2.8	3.2*	7.1	-1.5	11.7	12.7*	6.0	8.2*	3.7	5.5*		3.2	3.8*	6.6	-3.0	11.4	12.4*	5.7	6.8*				3.8*	3.8*	5.4																																																																	
	4.5	8.3*	8.3*	5.4	6.3*	3.4	5.3*		2.7	2.7*		6.7		3.0	9.3	10.5*	5.3	7.1*	3.4	5.3		2.3			2.7*	7.2	1.5	9.2	11.3*	5.2	7.8*	3.3	5.3			2.2		2.9*	7.3	0	9.4	12.4*	5.1	7.9	3.1		5.2			2.2	3.2*	7.1	-1.5	8.9	12.7*	4.7	8.2*	2.9		5.0		2.5	3.8*	6.6	-3.0	8.6	12.4*	4.5	6.8*				3.3	3.8*	5.4	NLC(1) Blade down	7.5			5.8*	5.8*				3.5*	3.5*	4.3	NLC(1) Blade down		7.5								3.6*	3.6*	4.6		6.0			5.7	5.8*				2.9*	2.9*	5.8		4.5	8.3*	8.3*	5.6	6.3*	3.5	5.3*		2.7*	2.7*		6.7		3.0	9.7	10.5*	5.5	7.1*	3.5	5.5*		2.4			2.7*	7.2	1.5	9.6	11.3*	5.4	7.8*	3.4		5.8*		2.3		2.9*	7.3	0	9.8*		12.4*	5.3	7.9*		3.2	5.9*		2.3	3.2*	7.1	-1.5	9.4		12.7*	5.0	8.2*	3.1	5.5*		2.6	3.8*	6.6	-3.0	9.1	12.4*	4.7	6.8*				3.5	3.8*	5.4	LC	7.5								3.5*	3.5*	4.3	LC		7.5								3.6*	3.6*	4.6		6.0								2.9*	2.9*	5.8		4.5	8.3*	8.3*	5.8	6.3*	3.6	5.3*		2.7*	2.7*		6.7		3.0	10.1	10.5*	5.6	7.1*	3.6	5.3		2.5			2.7*	7.2	1.5	10.0	11.3*	5.6		7.8*	3.5	5.3		2.4			2.9*	7.3	0	10.2	12.4*		5.5	7.9*	3.3	5.2		2.4		3.2*	7.1	-1.5	10.0	12.7*	5.2	8.2*	3.2	5.0		2.7	3.8*	6.6	-3.0	9.7	12.4*	4.9	6.8*				3.6	3.8*	5.4	LC Blade up	7.5			5.8*	5.8*				3.5*	3.5*	4.3	LC Blade up		7.5								3.6*	3.6*	4.6		6.0			5.8*	5.8*				2.9*	2.9*	5.8		4.5	8.3*	8.3*	6.1	6.3*	3.9	5.3*		2.7*	2.7*		6.7		3.0	10.5*	10.5*	6.0	7.1*	3.9	5.4		2.7*			2.7*	7.2	1.5	10.6		11.3*	5.9	7.8*	3.8		5.4		2.6		2.9*	7.3	0	10.8		12.4*	6.0	7.9*	3.6		5.3		2.7	3.2*	7.1	-1.5	10.8	12.7*	5.6	8.2*	3.5	5.1		3.0	3.8*	6.6	-3.0	10.5	12.4*	5.3	6.8*				3.8*	3.8*	5.4	LC Blade down	7.5			5.8*	5.8*				3.5*	3.5*	4.3	LC Blade down		7.5								3.6*	3.6*	4.6		6.0			5.8*	5.8*				2.9*	2.9*	5.8		4.5	8.3*	8.3*	6.3*	6.3*	4.2	5.3*		2.7*	2.7*		6.7		3.0	10.5*	10.5*	6.3	7.1*	4.2	5.5*		2.7*			2.7*	7.2		1.5	11.2		11.3*	6.2	7.8*	4.0	5.8*		2.8	2.9*	7.3	0		11.4		12.4*		6.4	7.9*	3.9	5.9*		2.8	3.2*	7.1	-1.5	11.7	12.7*	6.0	8.2*	3.7	5.5*		3.2	3.8*	6.6	-3.0	11.4	12.4*	5.7	6.8*				3.8*	3.8*	5.4																																																																														
	3.0	9.3	10.5*	5.3	7.1*	3.4	5.3		2.3	2.7*		7.2		1.5	9.2	11.3*	5.2	7.8*	3.3	5.3		2.2			2.9*	7.3	0	9.4	12.4*	5.1	7.9	3.1	5.2			2.2		3.2*	7.1	-1.5	8.9	12.7*	4.7	8.2*	2.9	5.0			2.5	3.8*	6.6	-3.0	8.6	12.4*	4.5	6.8*				3.3	3.8*	5.4	NLC(1) Blade down	7.5			5.8*	5.8*				3.5*	3.5*	4.3	NLC(1) Blade down		7.5								3.6*	3.6*	4.6			6.0			5.7	5.8*				2.9*	2.9*	5.8		4.5	8.3*	8.3*	5.6	6.3*	3.5	5.3*		2.7*	2.7*	6.7		3.0	9.7	10.5*	5.5	7.1*	3.5	5.5*		2.4	2.7*		7.2		1.5	9.6	11.3*	5.4	7.8*	3.4	5.8*		2.3			2.9*	7.3	0	9.8*	12.4*	5.3	7.9*	3.2		5.9*		2.3		3.2*	7.1	-1.5	9.4	12.7*	5.0	8.2*	3.1		5.5*		2.6	3.8*	6.6	-3.0	9.1	12.4*	4.7	6.8*				3.5	3.8*	5.4	LC	7.5								3.5*	3.5*	4.3	LC		7.5								3.6*	3.6*	4.6			6.0								2.9*	2.9*	5.8		4.5	8.3*	8.3*	5.8	6.3*	3.6	5.3*		2.7*	2.7*	6.7		3.0	10.1	10.5*	5.6	7.1*	3.6	5.3		2.5	2.7*		7.2		1.5	10.0	11.3*	5.6	7.8*	3.5	5.3		2.4			2.9*	7.3	0	10.2	12.4*	5.5		7.9*	3.3	5.2		2.4		3.2*	7.1	-1.5	10.0	12.7*	5.2		8.2*	3.2	5.0		2.7	3.8*	6.6	-3.0	9.7	12.4*	4.9	6.8*				3.6	3.8*	5.4	LC Blade up	7.5			5.8*	5.8*				3.5*	3.5*	4.3	LC Blade up		7.5								3.6*	3.6*	4.6			6.0			5.8*	5.8*				2.9*	2.9*	5.8		4.5	8.3*	8.3*	6.1	6.3*	3.9	5.3*		2.7*	2.7*	6.7		3.0	10.5*	10.5*	6.0	7.1*	3.9	5.4		2.7*	2.7*		7.2		1.5	10.6	11.3*	5.9	7.8*	3.8	5.4		2.6			2.9*	7.3	0	10.8		12.4*	6.0	7.9*	3.6	5.3		2.7	3.2*		7.1	-1.5	10.8	12.7*		5.6	8.2*	3.5	5.1		3.0	3.8*	6.6	-3.0	10.5	12.4*	5.3	6.8*				3.8*	3.8*	5.4	LC Blade down	7.5			5.8*	5.8*				3.5*	3.5*	4.3	LC Blade down		7.5								3.6*	3.6*	4.6			6.0			5.8*	5.8*				2.9*	2.9*	5.8		4.5	8.3*	8.3*	6.3*	6.3*	4.2	5.3*		2.7*	2.7*	6.7		3.0	10.5*	10.5*	6.3	7.1*	4.2	5.5*		2.7*	2.7*		7.2		1.5	11.2	11.3*	6.2	7.8*	4.0	5.8*		2.8			2.9*	7.3		0	11.4	12.4*	6.4	7.9*	3.9	5.9*		2.8	3.2*	7.1	-1.5	11.7		12.7*		6.0	8.2*	3.7	5.5*		3.2	3.8*	6.6	-3.0	11.4	12.4*	5.7	6.8*				3.8*	3.8*	5.4																																																																																											
	1.5	9.2	11.3*	5.2	7.8*	3.3	5.3		2.2	2.9*		7.3		0	9.4	12.4*	5.1	7.9	3.1	5.2		2.2			3.2*	7.1	-1.5	8.9	12.7*	4.7	8.2*	2.9	5.0		2.5	3.8*		6.6	-3.0	8.6	12.4*	4.5	6.8*				3.3	3.8*	5.4	NLC(1) Blade down	7.5			5.8*	5.8*				3.5*	3.5*	4.3	NLC(1) Blade down		7.5								3.6*	3.6*	4.6			6.0			5.7	5.8*				2.9*	2.9*	5.8			4.5	8.3*	8.3*	5.6	6.3*	3.5	5.3*		2.7*	2.7*	6.7		3.0	9.7	10.5*	5.5	7.1*	3.5	5.5*		2.4	2.7*	7.2		1.5	9.6	11.3*	5.4	7.8*	3.4	5.8*		2.3	2.9*		7.3		0	9.8*	12.4*	5.3	7.9*	3.2	5.9*		2.3			3.2*	7.1	-1.5	9.4	12.7*	5.0	8.2*	3.1	5.5*		2.6	3.8*		6.6	-3.0	9.1	12.4*	4.7	6.8*				3.5	3.8*	5.4	LC	7.5								3.5*	3.5*	4.3	LC		7.5								3.6*	3.6*	4.6			6.0								2.9*	2.9*	5.8			4.5	8.3*	8.3*	5.8	6.3*	3.6	5.3*		2.7*	2.7*	6.7		3.0	10.1	10.5*	5.6	7.1*	3.6	5.3		2.5	2.7*	7.2		1.5	10.0	11.3*	5.6	7.8*	3.5	5.3		2.4	2.9*		7.3		0	10.2	12.4*	5.5	7.9*	3.3	5.2		2.4			3.2*	7.1	-1.5	10.0	12.7*	5.2	8.2*	3.2	5.0		2.7	3.8*		6.6	-3.0	9.7	12.4*	4.9	6.8*				3.6	3.8*	5.4	LC Blade up	7.5			5.8*	5.8*				3.5*	3.5*	4.3	LC Blade up		7.5								3.6*	3.6*	4.6			6.0			5.8*	5.8*				2.9*	2.9*	5.8			4.5	8.3*	8.3*	6.1	6.3*	3.9	5.3*		2.7*	2.7*	6.7		3.0	10.5*	10.5*	6.0	7.1*	3.9	5.4		2.7*	2.7*	7.2		1.5	10.6	11.3*	5.9	7.8*	3.8	5.4		2.6	2.9*		7.3		0	10.8	12.4*	6.0	7.9*	3.6	5.3		2.7			3.2*	7.1	-1.5	10.8	12.7*	5.6	8.2*	3.5	5.1		3.0	3.8*	6.6		-3.0	10.5	12.4*	5.3	6.8*				3.8*	3.8*	5.4	LC Blade down	7.5			5.8*	5.8*				3.5*	3.5*	4.3	LC Blade down		7.5								3.6*	3.6*	4.6			6.0			5.8*	5.8*				2.9*	2.9*	5.8			4.5	8.3*	8.3*	6.3*	6.3*	4.2	5.3*		2.7*	2.7*	6.7		3.0	10.5*	10.5*	6.3	7.1*	4.2	5.5*		2.7*	2.7*	7.2		1.5	11.2	11.3*	6.2	7.8*	4.0	5.8*		2.8	2.9*		7.3		0	11.4	12.4*	6.4	7.9*	3.9	5.9*		2.8			3.2*	7.1	-1.5	11.7	12.7*	6.0	8.2*	3.7	5.5*		3.2	3.8*	6.6	-3.0	11.4	12.4*		5.7	6.8*				3.8*	3.8*	5.4																																																																																																								
	0	9.4	12.4*	5.1	7.9	3.1	5.2		2.2	3.2*		7.1		-1.5	8.9	12.7*	4.7	8.2*	2.9	5.0		2.5		3.8*	6.6	-3.0	8.6	12.4*	4.5	6.8*				3.3	3.8*	5.4	NLC(1) Blade down	7.5			5.8*	5.8*				3.5*	3.5*	4.3	NLC(1) Blade down		7.5								3.6*	3.6*	4.6			6.0			5.7	5.8*				2.9*	2.9*	5.8			4.5	8.3*	8.3*	5.6	6.3*	3.5	5.3*		2.7*	2.7*	6.7			3.0	9.7	10.5*	5.5	7.1*	3.5	5.5*		2.4	2.7*	7.2		1.5	9.6	11.3*	5.4	7.8*	3.4	5.8*		2.3	2.9*	7.3		0	9.8*	12.4*	5.3	7.9*	3.2	5.9*		2.3	3.2*		7.1		-1.5	9.4	12.7*	5.0	8.2*	3.1	5.5*		2.6		3.8*	6.6	-3.0	9.1	12.4*	4.7	6.8*				3.5	3.8*	5.4	LC	7.5								3.5*	3.5*	4.3	LC		7.5								3.6*	3.6*	4.6			6.0								2.9*	2.9*	5.8			4.5	8.3*	8.3*	5.8	6.3*	3.6	5.3*		2.7*	2.7*	6.7			3.0	10.1	10.5*	5.6	7.1*	3.6	5.3		2.5	2.7*	7.2		1.5	10.0	11.3*	5.6	7.8*	3.5	5.3		2.4	2.9*	7.3		0	10.2	12.4*	5.5	7.9*	3.3	5.2		2.4	3.2*		7.1		-1.5	10.0	12.7*	5.2	8.2*	3.2	5.0		2.7		3.8*	6.6	-3.0	9.7	12.4*	4.9	6.8*				3.6	3.8*	5.4	LC Blade up	7.5			5.8*	5.8*				3.5*	3.5*	4.3	LC Blade up		7.5								3.6*	3.6*	4.6			6.0			5.8*	5.8*				2.9*	2.9*	5.8			4.5	8.3*	8.3*	6.1	6.3*	3.9	5.3*		2.7*	2.7*	6.7			3.0	10.5*	10.5*	6.0	7.1*	3.9	5.4		2.7*	2.7*	7.2		1.5	10.6	11.3*	5.9	7.8*	3.8	5.4		2.6	2.9*	7.3		0	10.8	12.4*	6.0	7.9*	3.6	5.3		2.7	3.2*		7.1		-1.5	10.8	12.7*	5.6	8.2*	3.5	5.1		3.0		3.8*	6.6	-3.0	10.5	12.4*	5.3	6.8*				3.8*	3.8*	5.4	LC Blade down	7.5			5.8*	5.8*				3.5*	3.5*	4.3	LC Blade down		7.5								3.6*	3.6*	4.6			6.0			5.8*	5.8*				2.9*	2.9*	5.8			4.5	8.3*	8.3*	6.3*	6.3*	4.2	5.3*		2.7*	2.7*	6.7			3.0	10.5*	10.5*	6.3	7.1*	4.2	5.5*		2.7*	2.7*	7.2		1.5	11.2	11.3*	6.2	7.8*	4.0	5.8*		2.8	2.9*	7.3		0	11.4	12.4*	6.4	7.9*	3.9	5.9*		2.8	3.2*		7.1		-1.5	11.7	12.7*	6.0	8.2*	3.7	5.5*		3.2		3.8*	6.6	-3.0	11.4	12.4*	5.7	6.8*				3.8*	3.8*	5.4																																																																																																																					
	-1.5	8.9	12.7*	4.7	8.2*	2.9	5.0		2.5	3.8*	6.6	-3.0		8.6	12.4*	4.5	6.8*				3.3	3.8*	5.4	NLC(1) Blade down	7.5			5.8*	5.8*				3.5*	3.5*	4.3	NLC(1) Blade down		7.5								3.6*	3.6*	4.6			6.0			5.7	5.8*				2.9*	2.9*	5.8			4.5	8.3*	8.3*	5.6	6.3*	3.5	5.3*		2.7*	2.7*	6.7			3.0	9.7	10.5*	5.5	7.1*	3.5	5.5*		2.4	2.7*	7.2			1.5	9.6	11.3*	5.4	7.8*	3.4	5.8*		2.3	2.9*	7.3		0	9.8*	12.4*	5.3	7.9*	3.2	5.9*		2.3	3.2*	7.1		-1.5	9.4	12.7*	5.0	8.2*	3.1	5.5*		2.6	3.8*	6.6	-3.0		9.1	12.4*	4.7	6.8*				3.5	3.8*	5.4	LC	7.5								3.5*	3.5*	4.3	LC		7.5								3.6*	3.6*	4.6			6.0								2.9*	2.9*	5.8			4.5	8.3*	8.3*	5.8	6.3*	3.6	5.3*		2.7*	2.7*	6.7			3.0	10.1	10.5*	5.6	7.1*	3.6	5.3		2.5	2.7*	7.2			1.5	10.0	11.3*	5.6	7.8*	3.5	5.3		2.4	2.9*	7.3		0	10.2	12.4*	5.5	7.9*	3.3	5.2		2.4	3.2*	7.1		-1.5	10.0	12.7*	5.2	8.2*	3.2	5.0		2.7	3.8*	6.6	-3.0		9.7	12.4*	4.9	6.8*				3.6	3.8*	5.4	LC Blade up	7.5			5.8*	5.8*				3.5*	3.5*	4.3	LC Blade up		7.5								3.6*	3.6*	4.6			6.0			5.8*	5.8*				2.9*	2.9*	5.8			4.5	8.3*	8.3*	6.1	6.3*	3.9	5.3*		2.7*	2.7*	6.7			3.0	10.5*	10.5*	6.0	7.1*	3.9	5.4		2.7*	2.7*	7.2			1.5	10.6	11.3*	5.9	7.8*	3.8	5.4		2.6	2.9*	7.3		0	10.8	12.4*	6.0	7.9*	3.6	5.3		2.7	3.2*	7.1		-1.5	10.8	12.7*	5.6	8.2*	3.5	5.1		3.0	3.8*	6.6	-3.0		10.5	12.4*	5.3	6.8*				3.8*	3.8*	5.4	LC Blade down	7.5			5.8*	5.8*				3.5*	3.5*	4.3	LC Blade down		7.5								3.6*	3.6*	4.6			6.0			5.8*	5.8*				2.9*	2.9*	5.8			4.5	8.3*	8.3*	6.3*	6.3*	4.2	5.3*		2.7*	2.7*	6.7			3.0	10.5*	10.5*	6.3	7.1*	4.2	5.5*		2.7*	2.7*	7.2			1.5	11.2	11.3*	6.2	7.8*	4.0	5.8*		2.8	2.9*	7.3		0	11.4	12.4*	6.4	7.9*	3.9	5.9*		2.8	3.2*	7.1		-1.5	11.7	12.7*	6.0	8.2*	3.7	5.5*		3.2	3.8*	6.6	-3.0		11.4	12.4*	5.7	6.8*				3.8*	3.8*	5.4																																																																																																																																		
-3.0	8.6	12.4*	4.5	6.8*				3.3	3.8*	5.4	NLC(1) Blade down	7.5			5.8*	5.8*				3.5*	3.5*	4.3	NLC(1) Blade down		7.5								3.6*	3.6*	4.6			6.0			5.7	5.8*				2.9*	2.9*	5.8			4.5	8.3*	8.3*	5.6	6.3*	3.5	5.3*		2.7*	2.7*	6.7			3.0	9.7	10.5*	5.5	7.1*	3.5	5.5*		2.4	2.7*	7.2			1.5	9.6	11.3*	5.4	7.8*	3.4	5.8*		2.3	2.9*	7.3			0	9.8*	12.4*	5.3	7.9*	3.2	5.9*		2.3	3.2*	7.1		-1.5	9.4	12.7*	5.0	8.2*	3.1	5.5*		2.6	3.8*	6.6	-3.0	9.1	12.4*	4.7	6.8*				3.5	3.8*	5.4	LC	7.5								3.5*	3.5*	4.3	LC		7.5								3.6*	3.6*	4.6			6.0								2.9*	2.9*	5.8			4.5	8.3*	8.3*	5.8	6.3*	3.6	5.3*		2.7*	2.7*	6.7			3.0	10.1	10.5*	5.6	7.1*	3.6	5.3		2.5	2.7*	7.2			1.5	10.0	11.3*	5.6	7.8*	3.5	5.3		2.4	2.9*	7.3			0	10.2	12.4*	5.5	7.9*	3.3	5.2		2.4	3.2*	7.1		-1.5	10.0	12.7*	5.2	8.2*	3.2	5.0		2.7	3.8*	6.6	-3.0	9.7	12.4*	4.9	6.8*				3.6	3.8*	5.4	LC Blade up	7.5			5.8*	5.8*				3.5*	3.5*	4.3	LC Blade up		7.5								3.6*	3.6*	4.6			6.0			5.8*	5.8*				2.9*	2.9*	5.8			4.5	8.3*	8.3*	6.1	6.3*	3.9	5.3*		2.7*	2.7*	6.7			3.0	10.5*	10.5*	6.0	7.1*	3.9	5.4		2.7*	2.7*	7.2			1.5	10.6	11.3*	5.9	7.8*	3.8	5.4		2.6	2.9*	7.3			0	10.8	12.4*	6.0	7.9*	3.6	5.3		2.7	3.2*	7.1		-1.5	10.8	12.7*	5.6	8.2*	3.5	5.1		3.0	3.8*	6.6	-3.0	10.5	12.4*	5.3	6.8*				3.8*	3.8*	5.4	LC Blade down	7.5			5.8*	5.8*				3.5*	3.5*	4.3	LC Blade down		7.5								3.6*	3.6*	4.6			6.0			5.8*	5.8*				2.9*	2.9*	5.8			4.5	8.3*	8.3*	6.3*	6.3*	4.2	5.3*		2.7*	2.7*	6.7			3.0	10.5*	10.5*	6.3	7.1*	4.2	5.5*		2.7*	2.7*	7.2			1.5	11.2	11.3*	6.2	7.8*	4.0	5.8*		2.8	2.9*	7.3			0	11.4	12.4*	6.4	7.9*	3.9	5.9*		2.8	3.2*	7.1		-1.5	11.7	12.7*	6.0	8.2*	3.7	5.5*		3.2	3.8*	6.6	-3.0	11.4	12.4*	5.7	6.8*				3.8*	3.8*	5.4																																																																																																																																															
NLC(1) Blade down	7.5			5.8*	5.8*				3.5*	3.5*		4.3	NLC(1) Blade down	7.5								3.6*			3.6*	4.6	6.0			5.7	5.8*				2.9*			2.9*	5.8	4.5	8.3*	8.3*	5.6	6.3*	3.5	5.3*		2.7*			2.7*	6.7	3.0	9.7	10.5*	5.5	7.1*	3.5	5.5*		2.4			2.7*	7.2	1.5	9.6	11.3*	5.4	7.8*	3.4	5.8*		2.3			2.9*	7.3	0	9.8*	12.4*	5.3	7.9*	3.2	5.9*		2.3		3.2*	7.1	-1.5	9.4	12.7*	5.0	8.2*	3.1	5.5*		2.6	3.8*	6.6	-3.0	9.1	12.4*	4.7	6.8*				3.5	3.8*	5.4	LC	7.5								3.5*	3.5*		4.3	LC	7.5								3.6*			3.6*	4.6	6.0								2.9*			2.9*	5.8	4.5	8.3*	8.3*	5.8	6.3*	3.6	5.3*		2.7*			2.7*	6.7	3.0	10.1	10.5*	5.6	7.1*	3.6	5.3		2.5			2.7*	7.2	1.5	10.0	11.3*	5.6	7.8*	3.5	5.3		2.4			2.9*	7.3	0	10.2	12.4*	5.5	7.9*	3.3	5.2		2.4		3.2*	7.1	-1.5	10.0	12.7*	5.2	8.2*	3.2	5.0		2.7	3.8*	6.6	-3.0	9.7	12.4*	4.9	6.8*				3.6	3.8*	5.4	LC Blade up	7.5			5.8*	5.8*				3.5*	3.5*		4.3	LC Blade up	7.5								3.6*			3.6*	4.6	6.0			5.8*	5.8*				2.9*			2.9*	5.8	4.5	8.3*	8.3*	6.1	6.3*	3.9	5.3*		2.7*			2.7*	6.7	3.0	10.5*	10.5*	6.0	7.1*	3.9	5.4		2.7*			2.7*	7.2	1.5	10.6	11.3*	5.9	7.8*	3.8	5.4		2.6			2.9*	7.3	0	10.8	12.4*	6.0	7.9*	3.6	5.3		2.7		3.2*	7.1	-1.5	10.8	12.7*	5.6	8.2*	3.5	5.1		3.0	3.8*	6.6	-3.0	10.5	12.4*	5.3	6.8*				3.8*	3.8*	5.4	LC Blade down	7.5			5.8*	5.8*				3.5*	3.5*		4.3	LC Blade down	7.5								3.6*			3.6*	4.6	6.0			5.8*	5.8*				2.9*			2.9*	5.8	4.5	8.3*	8.3*	6.3*	6.3*	4.2	5.3*		2.7*			2.7*	6.7	3.0	10.5*	10.5*	6.3	7.1*	4.2	5.5*		2.7*			2.7*	7.2	1.5	11.2	11.3*	6.2	7.8*	4.0	5.8*		2.8			2.9*	7.3	0	11.4	12.4*	6.4	7.9*	3.9	5.9*		2.8		3.2*	7.1	-1.5	11.7	12.7*	6.0	8.2*	3.7	5.5*		3.2	3.8*	6.6	-3.0	11.4	12.4*	5.7	6.8*				3.8*	3.8*	5.4																																																																																																																																																										
	6.0			5.7	5.8*				2.9*	2.9*		5.8		4.5	8.3*	8.3*	5.6	6.3*	3.5	5.3*		2.7*			2.7*	6.7	3.0	9.7	10.5*	5.5	7.1*	3.5	5.5*		2.4			2.7*	7.2	1.5	9.6	11.3*	5.4	7.8*	3.4	5.8*		2.3			2.9*	7.3	0	9.8*	12.4*	5.3	7.9*	3.2	5.9*		2.3			3.2*	7.1	-1.5	9.4	12.7*	5.0	8.2*	3.1	5.5*		2.6		3.8*	6.6	-3.0	9.1	12.4*	4.7	6.8*				3.5	3.8*	5.4	LC	7.5								3.5*	3.5*	4.3	LC	7.5								3.6*	3.6*	4.6		6.0								2.9*	2.9*		5.8		4.5	8.3*	8.3*	5.8	6.3*	3.6	5.3*		2.7*			2.7*	6.7	3.0	10.1	10.5*	5.6	7.1*	3.6	5.3		2.5			2.7*	7.2	1.5	10.0	11.3*	5.6	7.8*	3.5	5.3		2.4			2.9*	7.3	0	10.2	12.4*	5.5	7.9*	3.3	5.2		2.4			3.2*	7.1	-1.5	10.0	12.7*	5.2	8.2*	3.2	5.0		2.7		3.8*	6.6	-3.0	9.7	12.4*	4.9	6.8*				3.6	3.8*	5.4	LC Blade up	7.5			5.8*	5.8*				3.5*	3.5*	4.3	LC Blade up	7.5								3.6*	3.6*	4.6		6.0			5.8*	5.8*				2.9*	2.9*		5.8		4.5	8.3*	8.3*	6.1	6.3*	3.9	5.3*		2.7*			2.7*	6.7	3.0	10.5*	10.5*	6.0	7.1*	3.9	5.4		2.7*			2.7*	7.2	1.5	10.6	11.3*	5.9	7.8*	3.8	5.4		2.6			2.9*	7.3	0	10.8	12.4*	6.0	7.9*	3.6	5.3		2.7			3.2*	7.1	-1.5	10.8	12.7*	5.6	8.2*	3.5	5.1		3.0		3.8*	6.6	-3.0	10.5	12.4*	5.3	6.8*				3.8*	3.8*	5.4	LC Blade down	7.5			5.8*	5.8*				3.5*	3.5*	4.3	LC Blade down	7.5								3.6*	3.6*	4.6		6.0			5.8*	5.8*				2.9*	2.9*		5.8		4.5	8.3*	8.3*	6.3*	6.3*	4.2	5.3*		2.7*			2.7*	6.7	3.0	10.5*	10.5*	6.3	7.1*	4.2	5.5*		2.7*			2.7*	7.2	1.5	11.2	11.3*	6.2	7.8*	4.0	5.8*		2.8			2.9*	7.3	0	11.4	12.4*	6.4	7.9*	3.9	5.9*		2.8			3.2*	7.1	-1.5	11.7	12.7*	6.0	8.2*	3.7	5.5*		3.2		3.8*	6.6	-3.0	11.4	12.4*	5.7	6.8*				3.8*	3.8*	5.4																																																																																																																																																																																		
	4.5	8.3*	8.3*	5.6	6.3*	3.5	5.3*		2.7*	2.7*		6.7		3.0	9.7	10.5*	5.5	7.1*	3.5	5.5*		2.4			2.7*	7.2	1.5	9.6	11.3*	5.4	7.8*	3.4	5.8*		2.3			2.9*	7.3	0	9.8*	12.4*	5.3	7.9*	3.2	5.9*		2.3			3.2*	7.1	-1.5	9.4	12.7*	5.0	8.2*	3.1	5.5*		2.6		3.8*	6.6	-3.0	9.1	12.4*	4.7	6.8*				3.5	3.8*	5.4	LC	7.5								3.5*	3.5*	4.3	LC		7.5								3.6*	3.6*	4.6		6.0								2.9*	2.9*	5.8		4.5	8.3*	8.3*	5.8	6.3*	3.6	5.3*		2.7*	2.7*		6.7		3.0	10.1	10.5*	5.6	7.1*	3.6	5.3		2.5			2.7*	7.2	1.5	10.0	11.3*	5.6	7.8*	3.5	5.3		2.4			2.9*	7.3	0	10.2	12.4*	5.5	7.9*	3.3	5.2		2.4			3.2*	7.1	-1.5	10.0	12.7*	5.2	8.2*	3.2	5.0		2.7		3.8*	6.6	-3.0	9.7	12.4*	4.9	6.8*				3.6	3.8*	5.4	LC Blade up	7.5			5.8*	5.8*				3.5*	3.5*	4.3	LC Blade up		7.5								3.6*	3.6*	4.6		6.0			5.8*	5.8*				2.9*	2.9*	5.8		4.5	8.3*	8.3*	6.1	6.3*	3.9	5.3*		2.7*	2.7*		6.7		3.0	10.5*	10.5*	6.0	7.1*	3.9	5.4		2.7*			2.7*	7.2	1.5	10.6	11.3*	5.9	7.8*	3.8	5.4		2.6			2.9*	7.3	0	10.8	12.4*	6.0	7.9*	3.6	5.3		2.7			3.2*	7.1	-1.5	10.8	12.7*	5.6	8.2*	3.5	5.1		3.0		3.8*	6.6	-3.0	10.5	12.4*	5.3	6.8*				3.8*	3.8*	5.4	LC Blade down	7.5			5.8*	5.8*				3.5*	3.5*	4.3	LC Blade down		7.5								3.6*	3.6*	4.6		6.0			5.8*	5.8*				2.9*	2.9*	5.8		4.5	8.3*	8.3*	6.3*	6.3*	4.2	5.3*		2.7*	2.7*		6.7		3.0	10.5*	10.5*	6.3	7.1*	4.2	5.5*		2.7*			2.7*	7.2	1.5	11.2	11.3*	6.2	7.8*	4.0	5.8*		2.8			2.9*	7.3	0	11.4	12.4*	6.4	7.9*	3.9	5.9*		2.8			3.2*	7.1	-1.5	11.7	12.7*	6.0	8.2*	3.7	5.5*		3.2		3.8*	6.6	-3.0	11.4	12.4*	5.7	6.8*				3.8*	3.8*	5.4																																																																																																																																																																																															
	3.0	9.7	10.5*	5.5	7.1*	3.5	5.5*		2.4	2.7*		7.2		1.5	9.6	11.3*	5.4	7.8*	3.4	5.8*		2.3			2.9*	7.3	0	9.8*	12.4*	5.3	7.9*	3.2	5.9*		2.3			3.2*	7.1	-1.5	9.4	12.7*	5.0	8.2*	3.1	5.5*		2.6		3.8*	6.6	-3.0	9.1	12.4*	4.7	6.8*				3.5	3.8*	5.4	LC	7.5								3.5*	3.5*	4.3	LC		7.5								3.6*	3.6*	4.6			6.0								2.9*	2.9*	5.8		4.5	8.3*	8.3*	5.8	6.3*	3.6	5.3*		2.7*	2.7*	6.7		3.0	10.1	10.5*	5.6	7.1*	3.6	5.3		2.5	2.7*		7.2		1.5	10.0	11.3*	5.6	7.8*	3.5	5.3		2.4			2.9*	7.3	0	10.2	12.4*	5.5	7.9*	3.3	5.2		2.4			3.2*	7.1	-1.5	10.0	12.7*	5.2	8.2*	3.2	5.0		2.7		3.8*	6.6	-3.0	9.7	12.4*	4.9	6.8*				3.6	3.8*	5.4	LC Blade up	7.5			5.8*	5.8*				3.5*	3.5*	4.3	LC Blade up		7.5								3.6*	3.6*	4.6			6.0			5.8*	5.8*				2.9*	2.9*	5.8		4.5	8.3*	8.3*	6.1	6.3*	3.9	5.3*		2.7*	2.7*	6.7		3.0	10.5*	10.5*	6.0	7.1*	3.9	5.4		2.7*	2.7*		7.2		1.5	10.6	11.3*	5.9	7.8*	3.8	5.4		2.6			2.9*	7.3	0	10.8	12.4*	6.0	7.9*	3.6	5.3		2.7			3.2*	7.1	-1.5	10.8	12.7*	5.6	8.2*	3.5	5.1		3.0		3.8*	6.6	-3.0	10.5	12.4*	5.3	6.8*				3.8*	3.8*	5.4	LC Blade down	7.5			5.8*	5.8*				3.5*	3.5*	4.3	LC Blade down		7.5								3.6*	3.6*	4.6			6.0			5.8*	5.8*				2.9*	2.9*	5.8		4.5	8.3*	8.3*	6.3*	6.3*	4.2	5.3*		2.7*	2.7*	6.7		3.0	10.5*	10.5*	6.3	7.1*	4.2	5.5*		2.7*	2.7*		7.2		1.5	11.2	11.3*	6.2	7.8*	4.0	5.8*		2.8			2.9*	7.3	0	11.4	12.4*	6.4	7.9*	3.9	5.9*		2.8			3.2*	7.1	-1.5	11.7	12.7*	6.0	8.2*	3.7	5.5*		3.2		3.8*	6.6	-3.0	11.4	12.4*	5.7	6.8*				3.8*	3.8*	5.4																																																																																																																																																																																																												
	1.5	9.6	11.3*	5.4	7.8*	3.4	5.8*		2.3	2.9*		7.3		0	9.8*	12.4*	5.3	7.9*	3.2	5.9*		2.3			3.2*	7.1	-1.5	9.4	12.7*	5.0	8.2*	3.1	5.5*		2.6		3.8*	6.6	-3.0	9.1	12.4*	4.7	6.8*				3.5	3.8*	5.4	LC	7.5								3.5*	3.5*	4.3	LC		7.5								3.6*	3.6*	4.6			6.0								2.9*	2.9*	5.8			4.5	8.3*	8.3*	5.8	6.3*	3.6	5.3*		2.7*	2.7*	6.7		3.0	10.1	10.5*	5.6	7.1*	3.6	5.3		2.5	2.7*	7.2		1.5	10.0	11.3*	5.6	7.8*	3.5	5.3		2.4	2.9*		7.3		0	10.2	12.4*	5.5	7.9*	3.3	5.2		2.4			3.2*	7.1	-1.5	10.0	12.7*	5.2	8.2*	3.2	5.0		2.7		3.8*	6.6	-3.0	9.7	12.4*	4.9	6.8*				3.6	3.8*	5.4	LC Blade up	7.5			5.8*	5.8*				3.5*	3.5*	4.3	LC Blade up		7.5								3.6*	3.6*	4.6			6.0			5.8*	5.8*				2.9*	2.9*	5.8			4.5	8.3*	8.3*	6.1	6.3*	3.9	5.3*		2.7*	2.7*	6.7		3.0	10.5*	10.5*	6.0	7.1*	3.9	5.4		2.7*	2.7*	7.2		1.5	10.6	11.3*	5.9	7.8*	3.8	5.4		2.6	2.9*		7.3		0	10.8	12.4*	6.0	7.9*	3.6	5.3		2.7			3.2*	7.1	-1.5	10.8	12.7*	5.6	8.2*	3.5	5.1		3.0		3.8*	6.6	-3.0	10.5	12.4*	5.3	6.8*				3.8*	3.8*	5.4	LC Blade down	7.5			5.8*	5.8*				3.5*	3.5*	4.3	LC Blade down		7.5								3.6*	3.6*	4.6			6.0			5.8*	5.8*				2.9*	2.9*	5.8			4.5	8.3*	8.3*	6.3*	6.3*	4.2	5.3*		2.7*	2.7*	6.7		3.0	10.5*	10.5*	6.3	7.1*	4.2	5.5*		2.7*	2.7*	7.2		1.5	11.2	11.3*	6.2	7.8*	4.0	5.8*		2.8	2.9*		7.3		0	11.4	12.4*	6.4	7.9*	3.9	5.9*		2.8			3.2*	7.1	-1.5	11.7	12.7*	6.0	8.2*	3.7	5.5*		3.2		3.8*	6.6	-3.0	11.4	12.4*	5.7	6.8*				3.8*	3.8*	5.4																																																																																																																																																																																																																									
	0	9.8*	12.4*	5.3	7.9*	3.2	5.9*		2.3	3.2*		7.1		-1.5	9.4	12.7*	5.0	8.2*	3.1	5.5*		2.6		3.8*	6.6	-3.0	9.1	12.4*	4.7	6.8*				3.5	3.8*	5.4	LC	7.5								3.5*	3.5*	4.3	LC		7.5								3.6*	3.6*	4.6			6.0								2.9*	2.9*	5.8			4.5	8.3*	8.3*	5.8	6.3*	3.6	5.3*		2.7*	2.7*	6.7			3.0	10.1	10.5*	5.6	7.1*	3.6	5.3		2.5	2.7*	7.2		1.5	10.0	11.3*	5.6	7.8*	3.5	5.3		2.4	2.9*	7.3		0	10.2	12.4*	5.5	7.9*	3.3	5.2		2.4	3.2*		7.1		-1.5	10.0	12.7*	5.2	8.2*	3.2	5.0		2.7		3.8*	6.6	-3.0	9.7	12.4*	4.9	6.8*				3.6	3.8*	5.4	LC Blade up	7.5			5.8*	5.8*				3.5*	3.5*	4.3	LC Blade up		7.5								3.6*	3.6*	4.6			6.0			5.8*	5.8*				2.9*	2.9*	5.8			4.5	8.3*	8.3*	6.1	6.3*	3.9	5.3*		2.7*	2.7*	6.7			3.0	10.5*	10.5*	6.0	7.1*	3.9	5.4		2.7*	2.7*	7.2		1.5	10.6	11.3*	5.9	7.8*	3.8	5.4		2.6	2.9*	7.3		0	10.8	12.4*	6.0	7.9*	3.6	5.3		2.7	3.2*		7.1		-1.5	10.8	12.7*	5.6	8.2*	3.5	5.1		3.0		3.8*	6.6	-3.0	10.5	12.4*	5.3	6.8*				3.8*	3.8*	5.4	LC Blade down	7.5			5.8*	5.8*				3.5*	3.5*	4.3	LC Blade down		7.5								3.6*	3.6*	4.6			6.0			5.8*	5.8*				2.9*	2.9*	5.8			4.5	8.3*	8.3*	6.3*	6.3*	4.2	5.3*		2.7*	2.7*	6.7			3.0	10.5*	10.5*	6.3	7.1*	4.2	5.5*		2.7*	2.7*	7.2		1.5	11.2	11.3*	6.2	7.8*	4.0	5.8*		2.8	2.9*	7.3		0	11.4	12.4*	6.4	7.9*	3.9	5.9*		2.8	3.2*		7.1		-1.5	11.7	12.7*	6.0	8.2*	3.7	5.5*		3.2		3.8*	6.6	-3.0	11.4	12.4*	5.7	6.8*				3.8*	3.8*	5.4																																																																																																																																																																																																																																						
	-1.5	9.4	12.7*	5.0	8.2*	3.1	5.5*		2.6	3.8*	6.6	-3.0		9.1	12.4*	4.7	6.8*				3.5	3.8*	5.4	LC	7.5								3.5*	3.5*	4.3	LC		7.5								3.6*	3.6*	4.6			6.0								2.9*	2.9*	5.8			4.5	8.3*	8.3*	5.8	6.3*	3.6	5.3*		2.7*	2.7*	6.7			3.0	10.1	10.5*	5.6	7.1*	3.6	5.3		2.5	2.7*	7.2			1.5	10.0	11.3*	5.6	7.8*	3.5	5.3		2.4	2.9*	7.3		0	10.2	12.4*	5.5	7.9*	3.3	5.2		2.4	3.2*	7.1		-1.5	10.0	12.7*	5.2	8.2*	3.2	5.0		2.7	3.8*	6.6	-3.0		9.7	12.4*	4.9	6.8*				3.6	3.8*	5.4	LC Blade up	7.5			5.8*	5.8*				3.5*	3.5*	4.3	LC Blade up		7.5								3.6*	3.6*	4.6			6.0			5.8*	5.8*				2.9*	2.9*	5.8			4.5	8.3*	8.3*	6.1	6.3*	3.9	5.3*		2.7*	2.7*	6.7			3.0	10.5*	10.5*	6.0	7.1*	3.9	5.4		2.7*	2.7*	7.2			1.5	10.6	11.3*	5.9	7.8*	3.8	5.4		2.6	2.9*	7.3		0	10.8	12.4*	6.0	7.9*	3.6	5.3		2.7	3.2*	7.1		-1.5	10.8	12.7*	5.6	8.2*	3.5	5.1		3.0	3.8*	6.6	-3.0		10.5	12.4*	5.3	6.8*				3.8*	3.8*	5.4	LC Blade down	7.5			5.8*	5.8*				3.5*	3.5*	4.3	LC Blade down		7.5								3.6*	3.6*	4.6			6.0			5.8*	5.8*				2.9*	2.9*	5.8			4.5	8.3*	8.3*	6.3*	6.3*	4.2	5.3*		2.7*	2.7*	6.7			3.0	10.5*	10.5*	6.3	7.1*	4.2	5.5*		2.7*	2.7*	7.2			1.5	11.2	11.3*	6.2	7.8*	4.0	5.8*		2.8	2.9*	7.3		0	11.4	12.4*	6.4	7.9*	3.9	5.9*		2.8	3.2*	7.1		-1.5	11.7	12.7*	6.0	8.2*	3.7	5.5*		3.2	3.8*	6.6	-3.0		11.4	12.4*	5.7	6.8*				3.8*	3.8*	5.4																																																																																																																																																																																																																																																			
-3.0	9.1	12.4*	4.7	6.8*				3.5	3.8*	5.4	LC	7.5								3.5*	3.5*	4.3	LC		7.5								3.6*	3.6*	4.6			6.0								2.9*	2.9*	5.8			4.5	8.3*	8.3*	5.8	6.3*	3.6	5.3*		2.7*	2.7*	6.7			3.0	10.1	10.5*	5.6	7.1*	3.6	5.3		2.5	2.7*	7.2			1.5	10.0	11.3*	5.6	7.8*	3.5	5.3		2.4	2.9*	7.3			0	10.2	12.4*	5.5	7.9*	3.3	5.2		2.4	3.2*	7.1		-1.5	10.0	12.7*	5.2	8.2*	3.2	5.0		2.7	3.8*	6.6	-3.0	9.7	12.4*	4.9	6.8*				3.6	3.8*	5.4	LC Blade up	7.5			5.8*	5.8*				3.5*	3.5*	4.3	LC Blade up		7.5								3.6*	3.6*	4.6			6.0			5.8*	5.8*				2.9*	2.9*	5.8			4.5	8.3*	8.3*	6.1	6.3*	3.9	5.3*		2.7*	2.7*	6.7			3.0	10.5*	10.5*	6.0	7.1*	3.9	5.4		2.7*	2.7*	7.2			1.5	10.6	11.3*	5.9	7.8*	3.8	5.4		2.6	2.9*	7.3			0	10.8	12.4*	6.0	7.9*	3.6	5.3		2.7	3.2*	7.1		-1.5	10.8	12.7*	5.6	8.2*	3.5	5.1		3.0	3.8*	6.6	-3.0	10.5	12.4*	5.3	6.8*				3.8*	3.8*	5.4	LC Blade down	7.5			5.8*	5.8*				3.5*	3.5*	4.3	LC Blade down		7.5								3.6*	3.6*	4.6			6.0			5.8*	5.8*				2.9*	2.9*	5.8			4.5	8.3*	8.3*	6.3*	6.3*	4.2	5.3*		2.7*	2.7*	6.7			3.0	10.5*	10.5*	6.3	7.1*	4.2	5.5*		2.7*	2.7*	7.2			1.5	11.2	11.3*	6.2	7.8*	4.0	5.8*		2.8	2.9*	7.3			0	11.4	12.4*	6.4	7.9*	3.9	5.9*		2.8	3.2*	7.1		-1.5	11.7	12.7*	6.0	8.2*	3.7	5.5*		3.2	3.8*	6.6	-3.0	11.4	12.4*	5.7	6.8*				3.8*	3.8*	5.4																																																																																																																																																																																																																																																																
LC	7.5								3.5*	3.5*		4.3	LC	7.5								3.6*			3.6*	4.6	6.0								2.9*			2.9*	5.8	4.5	8.3*	8.3*	5.8	6.3*	3.6	5.3*		2.7*			2.7*	6.7	3.0	10.1	10.5*	5.6	7.1*	3.6	5.3		2.5			2.7*	7.2	1.5	10.0	11.3*	5.6	7.8*	3.5	5.3		2.4			2.9*	7.3	0	10.2	12.4*	5.5	7.9*	3.3	5.2		2.4		3.2*	7.1	-1.5	10.0	12.7*	5.2	8.2*	3.2	5.0		2.7	3.8*	6.6	-3.0	9.7	12.4*	4.9	6.8*				3.6	3.8*	5.4	LC Blade up	7.5			5.8*	5.8*				3.5*	3.5*		4.3	LC Blade up	7.5								3.6*			3.6*	4.6	6.0			5.8*	5.8*				2.9*			2.9*	5.8	4.5	8.3*	8.3*	6.1	6.3*	3.9	5.3*		2.7*			2.7*	6.7	3.0	10.5*	10.5*	6.0	7.1*	3.9	5.4		2.7*			2.7*	7.2	1.5	10.6	11.3*	5.9	7.8*	3.8	5.4		2.6			2.9*	7.3	0	10.8	12.4*	6.0	7.9*	3.6	5.3		2.7		3.2*	7.1	-1.5	10.8	12.7*	5.6	8.2*	3.5	5.1		3.0	3.8*	6.6	-3.0	10.5	12.4*	5.3	6.8*				3.8*	3.8*	5.4	LC Blade down	7.5			5.8*	5.8*				3.5*	3.5*		4.3	LC Blade down	7.5								3.6*			3.6*	4.6	6.0			5.8*	5.8*				2.9*			2.9*	5.8	4.5	8.3*	8.3*	6.3*	6.3*	4.2	5.3*		2.7*			2.7*	6.7	3.0	10.5*	10.5*	6.3	7.1*	4.2	5.5*		2.7*			2.7*	7.2	1.5	11.2	11.3*	6.2	7.8*	4.0	5.8*		2.8			2.9*	7.3	0	11.4	12.4*	6.4	7.9*	3.9	5.9*		2.8		3.2*	7.1	-1.5	11.7	12.7*	6.0	8.2*	3.7	5.5*		3.2	3.8*	6.6	-3.0	11.4	12.4*	5.7	6.8*				3.8*	3.8*	5.4																																																																																																																																																																																																																																																																											
	6.0								2.9*	2.9*		5.8		4.5	8.3*	8.3*	5.8	6.3*	3.6	5.3*		2.7*			2.7*	6.7	3.0	10.1	10.5*	5.6	7.1*	3.6	5.3		2.5			2.7*	7.2	1.5	10.0	11.3*	5.6	7.8*	3.5	5.3		2.4			2.9*	7.3	0	10.2	12.4*	5.5	7.9*	3.3	5.2		2.4			3.2*	7.1	-1.5	10.0	12.7*	5.2	8.2*	3.2	5.0		2.7		3.8*	6.6	-3.0	9.7	12.4*	4.9	6.8*				3.6	3.8*	5.4	LC Blade up	7.5			5.8*	5.8*				3.5*	3.5*	4.3	LC Blade up	7.5								3.6*	3.6*	4.6		6.0			5.8*	5.8*				2.9*	2.9*		5.8		4.5	8.3*	8.3*	6.1	6.3*	3.9	5.3*		2.7*			2.7*	6.7	3.0	10.5*	10.5*	6.0	7.1*	3.9	5.4		2.7*			2.7*	7.2	1.5	10.6	11.3*	5.9	7.8*	3.8	5.4		2.6			2.9*	7.3	0	10.8	12.4*	6.0	7.9*	3.6	5.3		2.7			3.2*	7.1	-1.5	10.8	12.7*	5.6	8.2*	3.5	5.1		3.0		3.8*	6.6	-3.0	10.5	12.4*	5.3	6.8*				3.8*	3.8*	5.4	LC Blade down	7.5			5.8*	5.8*				3.5*	3.5*	4.3	LC Blade down	7.5								3.6*	3.6*	4.6		6.0			5.8*	5.8*				2.9*	2.9*		5.8		4.5	8.3*	8.3*	6.3*	6.3*	4.2	5.3*		2.7*			2.7*	6.7	3.0	10.5*	10.5*	6.3	7.1*	4.2	5.5*		2.7*			2.7*	7.2	1.5	11.2	11.3*	6.2	7.8*	4.0	5.8*		2.8			2.9*	7.3	0	11.4	12.4*	6.4	7.9*	3.9	5.9*		2.8			3.2*	7.1	-1.5	11.7	12.7*	6.0	8.2*	3.7	5.5*		3.2		3.8*	6.6	-3.0	11.4	12.4*	5.7	6.8*				3.8*	3.8*	5.4																																																																																																																																																																																																																																																																																																			
	4.5	8.3*	8.3*	5.8	6.3*	3.6	5.3*		2.7*	2.7*		6.7		3.0	10.1	10.5*	5.6	7.1*	3.6	5.3		2.5			2.7*	7.2	1.5	10.0	11.3*	5.6	7.8*	3.5	5.3		2.4			2.9*	7.3	0	10.2	12.4*	5.5	7.9*	3.3	5.2		2.4			3.2*	7.1	-1.5	10.0	12.7*	5.2	8.2*	3.2	5.0		2.7		3.8*	6.6	-3.0	9.7	12.4*	4.9	6.8*				3.6	3.8*	5.4	LC Blade up	7.5			5.8*	5.8*				3.5*	3.5*	4.3	LC Blade up		7.5								3.6*	3.6*	4.6		6.0			5.8*	5.8*				2.9*	2.9*	5.8		4.5	8.3*	8.3*	6.1	6.3*	3.9	5.3*		2.7*	2.7*		6.7		3.0	10.5*	10.5*	6.0	7.1*	3.9	5.4		2.7*			2.7*	7.2	1.5	10.6	11.3*	5.9	7.8*	3.8	5.4		2.6			2.9*	7.3	0	10.8	12.4*	6.0	7.9*	3.6	5.3		2.7			3.2*	7.1	-1.5	10.8	12.7*	5.6	8.2*	3.5	5.1		3.0		3.8*	6.6	-3.0	10.5	12.4*	5.3	6.8*				3.8*	3.8*	5.4	LC Blade down	7.5			5.8*	5.8*				3.5*	3.5*	4.3	LC Blade down		7.5								3.6*	3.6*	4.6		6.0			5.8*	5.8*				2.9*	2.9*	5.8		4.5	8.3*	8.3*	6.3*	6.3*	4.2	5.3*		2.7*	2.7*		6.7		3.0	10.5*	10.5*	6.3	7.1*	4.2	5.5*		2.7*			2.7*	7.2	1.5	11.2	11.3*	6.2	7.8*	4.0	5.8*		2.8			2.9*	7.3	0	11.4	12.4*	6.4	7.9*	3.9	5.9*		2.8			3.2*	7.1	-1.5	11.7	12.7*	6.0	8.2*	3.7	5.5*		3.2		3.8*	6.6	-3.0	11.4	12.4*	5.7	6.8*				3.8*	3.8*	5.4																																																																																																																																																																																																																																																																																																																
	3.0	10.1	10.5*	5.6	7.1*	3.6	5.3		2.5	2.7*		7.2		1.5	10.0	11.3*	5.6	7.8*	3.5	5.3		2.4			2.9*	7.3	0	10.2	12.4*	5.5	7.9*	3.3	5.2		2.4			3.2*	7.1	-1.5	10.0	12.7*	5.2	8.2*	3.2	5.0		2.7		3.8*	6.6	-3.0	9.7	12.4*	4.9	6.8*				3.6	3.8*	5.4	LC Blade up	7.5			5.8*	5.8*				3.5*	3.5*	4.3	LC Blade up		7.5								3.6*	3.6*	4.6			6.0			5.8*	5.8*				2.9*	2.9*	5.8		4.5	8.3*	8.3*	6.1	6.3*	3.9	5.3*		2.7*	2.7*	6.7		3.0	10.5*	10.5*	6.0	7.1*	3.9	5.4		2.7*	2.7*		7.2		1.5	10.6	11.3*	5.9	7.8*	3.8	5.4		2.6			2.9*	7.3	0	10.8	12.4*	6.0	7.9*	3.6	5.3		2.7			3.2*	7.1	-1.5	10.8	12.7*	5.6	8.2*	3.5	5.1		3.0		3.8*	6.6	-3.0	10.5	12.4*	5.3	6.8*				3.8*	3.8*	5.4	LC Blade down	7.5			5.8*	5.8*				3.5*	3.5*	4.3	LC Blade down		7.5								3.6*	3.6*	4.6			6.0			5.8*	5.8*				2.9*	2.9*	5.8		4.5	8.3*	8.3*	6.3*	6.3*	4.2	5.3*		2.7*	2.7*	6.7		3.0	10.5*	10.5*	6.3	7.1*	4.2	5.5*		2.7*	2.7*		7.2		1.5	11.2	11.3*	6.2	7.8*	4.0	5.8*		2.8			2.9*	7.3	0	11.4	12.4*	6.4	7.9*	3.9	5.9*		2.8			3.2*	7.1	-1.5	11.7	12.7*	6.0	8.2*	3.7	5.5*		3.2		3.8*	6.6	-3.0	11.4	12.4*	5.7	6.8*				3.8*	3.8*	5.4																																																																																																																																																																																																																																																																																																																													
	1.5	10.0	11.3*	5.6	7.8*	3.5	5.3		2.4	2.9*		7.3		0	10.2	12.4*	5.5	7.9*	3.3	5.2		2.4			3.2*	7.1	-1.5	10.0	12.7*	5.2	8.2*	3.2	5.0		2.7		3.8*	6.6	-3.0	9.7	12.4*	4.9	6.8*				3.6	3.8*	5.4	LC Blade up	7.5			5.8*	5.8*				3.5*	3.5*	4.3	LC Blade up		7.5								3.6*	3.6*	4.6			6.0			5.8*	5.8*				2.9*	2.9*	5.8			4.5	8.3*	8.3*	6.1	6.3*	3.9	5.3*		2.7*	2.7*	6.7		3.0	10.5*	10.5*	6.0	7.1*	3.9	5.4		2.7*	2.7*	7.2		1.5	10.6	11.3*	5.9	7.8*	3.8	5.4		2.6	2.9*		7.3		0	10.8	12.4*	6.0	7.9*	3.6	5.3		2.7			3.2*	7.1	-1.5	10.8	12.7*	5.6	8.2*	3.5	5.1		3.0		3.8*	6.6	-3.0	10.5	12.4*	5.3	6.8*				3.8*	3.8*	5.4	LC Blade down	7.5			5.8*	5.8*				3.5*	3.5*	4.3	LC Blade down		7.5								3.6*	3.6*	4.6			6.0			5.8*	5.8*				2.9*	2.9*	5.8			4.5	8.3*	8.3*	6.3*	6.3*	4.2	5.3*		2.7*	2.7*	6.7		3.0	10.5*	10.5*	6.3	7.1*	4.2	5.5*		2.7*	2.7*	7.2		1.5	11.2	11.3*	6.2	7.8*	4.0	5.8*		2.8	2.9*		7.3		0	11.4	12.4*	6.4	7.9*	3.9	5.9*		2.8			3.2*	7.1	-1.5	11.7	12.7*	6.0	8.2*	3.7	5.5*		3.2		3.8*	6.6	-3.0	11.4	12.4*	5.7	6.8*				3.8*	3.8*	5.4																																																																																																																																																																																																																																																																																																																																										
	0	10.2	12.4*	5.5	7.9*	3.3	5.2		2.4	3.2*		7.1		-1.5	10.0	12.7*	5.2	8.2*	3.2	5.0		2.7		3.8*	6.6	-3.0	9.7	12.4*	4.9	6.8*				3.6	3.8*	5.4	LC Blade up	7.5			5.8*	5.8*				3.5*	3.5*	4.3	LC Blade up		7.5								3.6*	3.6*	4.6			6.0			5.8*	5.8*				2.9*	2.9*	5.8			4.5	8.3*	8.3*	6.1	6.3*	3.9	5.3*		2.7*	2.7*	6.7			3.0	10.5*	10.5*	6.0	7.1*	3.9	5.4		2.7*	2.7*	7.2		1.5	10.6	11.3*	5.9	7.8*	3.8	5.4		2.6	2.9*	7.3		0	10.8	12.4*	6.0	7.9*	3.6	5.3		2.7	3.2*		7.1		-1.5	10.8	12.7*	5.6	8.2*	3.5	5.1		3.0		3.8*	6.6	-3.0	10.5	12.4*	5.3	6.8*				3.8*	3.8*	5.4	LC Blade down	7.5			5.8*	5.8*				3.5*	3.5*	4.3	LC Blade down		7.5								3.6*	3.6*	4.6			6.0			5.8*	5.8*				2.9*	2.9*	5.8			4.5	8.3*	8.3*	6.3*	6.3*	4.2	5.3*		2.7*	2.7*	6.7			3.0	10.5*	10.5*	6.3	7.1*	4.2	5.5*		2.7*	2.7*	7.2		1.5	11.2	11.3*	6.2	7.8*	4.0	5.8*		2.8	2.9*	7.3		0	11.4	12.4*	6.4	7.9*	3.9	5.9*		2.8	3.2*		7.1		-1.5	11.7	12.7*	6.0	8.2*	3.7	5.5*		3.2		3.8*	6.6	-3.0	11.4	12.4*	5.7	6.8*				3.8*	3.8*	5.4																																																																																																																																																																																																																																																																																																																																																							
	-1.5	10.0	12.7*	5.2	8.2*	3.2	5.0		2.7	3.8*	6.6	-3.0		9.7	12.4*	4.9	6.8*				3.6	3.8*	5.4	LC Blade up	7.5			5.8*	5.8*				3.5*	3.5*	4.3	LC Blade up		7.5								3.6*	3.6*	4.6			6.0			5.8*	5.8*				2.9*	2.9*	5.8			4.5	8.3*	8.3*	6.1	6.3*	3.9	5.3*		2.7*	2.7*	6.7			3.0	10.5*	10.5*	6.0	7.1*	3.9	5.4		2.7*	2.7*	7.2			1.5	10.6	11.3*	5.9	7.8*	3.8	5.4		2.6	2.9*	7.3		0	10.8	12.4*	6.0	7.9*	3.6	5.3		2.7	3.2*	7.1		-1.5	10.8	12.7*	5.6	8.2*	3.5	5.1		3.0	3.8*	6.6	-3.0		10.5	12.4*	5.3	6.8*				3.8*	3.8*	5.4	LC Blade down	7.5			5.8*	5.8*				3.5*	3.5*	4.3	LC Blade down		7.5								3.6*	3.6*	4.6			6.0			5.8*	5.8*				2.9*	2.9*	5.8			4.5	8.3*	8.3*	6.3*	6.3*	4.2	5.3*		2.7*	2.7*	6.7			3.0	10.5*	10.5*	6.3	7.1*	4.2	5.5*		2.7*	2.7*	7.2			1.5	11.2	11.3*	6.2	7.8*	4.0	5.8*		2.8	2.9*	7.3		0	11.4	12.4*	6.4	7.9*	3.9	5.9*		2.8	3.2*	7.1		-1.5	11.7	12.7*	6.0	8.2*	3.7	5.5*		3.2	3.8*	6.6	-3.0		11.4	12.4*	5.7	6.8*				3.8*	3.8*	5.4																																																																																																																																																																																																																																																																																																																																																																				
-3.0	9.7	12.4*	4.9	6.8*				3.6	3.8*	5.4	LC Blade up	7.5			5.8*	5.8*				3.5*	3.5*	4.3	LC Blade up		7.5								3.6*	3.6*	4.6			6.0			5.8*	5.8*				2.9*	2.9*	5.8			4.5	8.3*	8.3*	6.1	6.3*	3.9	5.3*		2.7*	2.7*	6.7			3.0	10.5*	10.5*	6.0	7.1*	3.9	5.4		2.7*	2.7*	7.2			1.5	10.6	11.3*	5.9	7.8*	3.8	5.4		2.6	2.9*	7.3			0	10.8	12.4*	6.0	7.9*	3.6	5.3		2.7	3.2*	7.1		-1.5	10.8	12.7*	5.6	8.2*	3.5	5.1		3.0	3.8*	6.6	-3.0	10.5	12.4*	5.3	6.8*				3.8*	3.8*	5.4	LC Blade down	7.5			5.8*	5.8*				3.5*	3.5*	4.3	LC Blade down		7.5								3.6*	3.6*	4.6			6.0			5.8*	5.8*				2.9*	2.9*	5.8			4.5	8.3*	8.3*	6.3*	6.3*	4.2	5.3*		2.7*	2.7*	6.7			3.0	10.5*	10.5*	6.3	7.1*	4.2	5.5*		2.7*	2.7*	7.2			1.5	11.2	11.3*	6.2	7.8*	4.0	5.8*		2.8	2.9*	7.3			0	11.4	12.4*	6.4	7.9*	3.9	5.9*		2.8	3.2*	7.1		-1.5	11.7	12.7*	6.0	8.2*	3.7	5.5*		3.2	3.8*	6.6	-3.0	11.4	12.4*	5.7	6.8*				3.8*	3.8*	5.4																																																																																																																																																																																																																																																																																																																																																																																	
LC Blade up	7.5			5.8*	5.8*				3.5*	3.5*		4.3	LC Blade up	7.5								3.6*			3.6*	4.6	6.0			5.8*	5.8*				2.9*			2.9*	5.8	4.5	8.3*	8.3*	6.1	6.3*	3.9	5.3*		2.7*			2.7*	6.7	3.0	10.5*	10.5*	6.0	7.1*	3.9	5.4		2.7*			2.7*	7.2	1.5	10.6	11.3*	5.9	7.8*	3.8	5.4		2.6			2.9*	7.3	0	10.8	12.4*	6.0	7.9*	3.6	5.3		2.7		3.2*	7.1	-1.5	10.8	12.7*	5.6	8.2*	3.5	5.1		3.0	3.8*	6.6	-3.0	10.5	12.4*	5.3	6.8*				3.8*	3.8*	5.4	LC Blade down	7.5			5.8*	5.8*				3.5*	3.5*		4.3	LC Blade down	7.5								3.6*			3.6*	4.6	6.0			5.8*	5.8*				2.9*			2.9*	5.8	4.5	8.3*	8.3*	6.3*	6.3*	4.2	5.3*		2.7*			2.7*	6.7	3.0	10.5*	10.5*	6.3	7.1*	4.2	5.5*		2.7*			2.7*	7.2	1.5	11.2	11.3*	6.2	7.8*	4.0	5.8*		2.8			2.9*	7.3	0	11.4	12.4*	6.4	7.9*	3.9	5.9*		2.8		3.2*	7.1	-1.5	11.7	12.7*	6.0	8.2*	3.7	5.5*		3.2	3.8*	6.6	-3.0	11.4	12.4*	5.7	6.8*				3.8*	3.8*	5.4																																																																																																																																																																																																																																																																																																																																																																																												
	6.0			5.8*	5.8*				2.9*	2.9*		5.8		4.5	8.3*	8.3*	6.1	6.3*	3.9	5.3*		2.7*			2.7*	6.7	3.0	10.5*	10.5*	6.0	7.1*	3.9	5.4		2.7*			2.7*	7.2	1.5	10.6	11.3*	5.9	7.8*	3.8	5.4		2.6			2.9*	7.3	0	10.8	12.4*	6.0	7.9*	3.6	5.3		2.7			3.2*	7.1	-1.5	10.8	12.7*	5.6	8.2*	3.5	5.1		3.0		3.8*	6.6	-3.0	10.5	12.4*	5.3	6.8*				3.8*	3.8*	5.4	LC Blade down	7.5			5.8*	5.8*				3.5*	3.5*	4.3	LC Blade down	7.5								3.6*	3.6*	4.6		6.0			5.8*	5.8*				2.9*	2.9*		5.8		4.5	8.3*	8.3*	6.3*	6.3*	4.2	5.3*		2.7*			2.7*	6.7	3.0	10.5*	10.5*	6.3	7.1*	4.2	5.5*		2.7*			2.7*	7.2	1.5	11.2	11.3*	6.2	7.8*	4.0	5.8*		2.8			2.9*	7.3	0	11.4	12.4*	6.4	7.9*	3.9	5.9*		2.8			3.2*	7.1	-1.5	11.7	12.7*	6.0	8.2*	3.7	5.5*		3.2		3.8*	6.6	-3.0	11.4	12.4*	5.7	6.8*				3.8*	3.8*	5.4																																																																																																																																																																																																																																																																																																																																																																																																																				
	4.5	8.3*	8.3*	6.1	6.3*	3.9	5.3*		2.7*	2.7*		6.7		3.0	10.5*	10.5*	6.0	7.1*	3.9	5.4		2.7*			2.7*	7.2	1.5	10.6	11.3*	5.9	7.8*	3.8	5.4		2.6			2.9*	7.3	0	10.8	12.4*	6.0	7.9*	3.6	5.3		2.7			3.2*	7.1	-1.5	10.8	12.7*	5.6	8.2*	3.5	5.1		3.0		3.8*	6.6	-3.0	10.5	12.4*	5.3	6.8*				3.8*	3.8*	5.4	LC Blade down	7.5			5.8*	5.8*				3.5*	3.5*	4.3	LC Blade down		7.5								3.6*	3.6*	4.6		6.0			5.8*	5.8*				2.9*	2.9*	5.8		4.5	8.3*	8.3*	6.3*	6.3*	4.2	5.3*		2.7*	2.7*		6.7		3.0	10.5*	10.5*	6.3	7.1*	4.2	5.5*		2.7*			2.7*	7.2	1.5	11.2	11.3*	6.2	7.8*	4.0	5.8*		2.8			2.9*	7.3	0	11.4	12.4*	6.4	7.9*	3.9	5.9*		2.8			3.2*	7.1	-1.5	11.7	12.7*	6.0	8.2*	3.7	5.5*		3.2		3.8*	6.6	-3.0	11.4	12.4*	5.7	6.8*				3.8*	3.8*	5.4																																																																																																																																																																																																																																																																																																																																																																																																																																	
	3.0	10.5*	10.5*	6.0	7.1*	3.9	5.4		2.7*	2.7*		7.2		1.5	10.6	11.3*	5.9	7.8*	3.8	5.4		2.6			2.9*	7.3	0	10.8	12.4*	6.0	7.9*	3.6	5.3		2.7			3.2*	7.1	-1.5	10.8	12.7*	5.6	8.2*	3.5	5.1		3.0		3.8*	6.6	-3.0	10.5	12.4*	5.3	6.8*				3.8*	3.8*	5.4	LC Blade down	7.5			5.8*	5.8*				3.5*	3.5*	4.3	LC Blade down		7.5								3.6*	3.6*	4.6			6.0			5.8*	5.8*				2.9*	2.9*	5.8		4.5	8.3*	8.3*	6.3*	6.3*	4.2	5.3*		2.7*	2.7*	6.7		3.0	10.5*	10.5*	6.3	7.1*	4.2	5.5*		2.7*	2.7*		7.2		1.5	11.2	11.3*	6.2	7.8*	4.0	5.8*		2.8			2.9*	7.3	0	11.4	12.4*	6.4	7.9*	3.9	5.9*		2.8			3.2*	7.1	-1.5	11.7	12.7*	6.0	8.2*	3.7	5.5*		3.2		3.8*	6.6	-3.0	11.4	12.4*	5.7	6.8*				3.8*	3.8*	5.4																																																																																																																																																																																																																																																																																																																																																																																																																																														
	1.5	10.6	11.3*	5.9	7.8*	3.8	5.4		2.6	2.9*		7.3		0	10.8	12.4*	6.0	7.9*	3.6	5.3		2.7			3.2*	7.1	-1.5	10.8	12.7*	5.6	8.2*	3.5	5.1		3.0		3.8*	6.6	-3.0	10.5	12.4*	5.3	6.8*				3.8*	3.8*	5.4	LC Blade down	7.5			5.8*	5.8*				3.5*	3.5*	4.3	LC Blade down		7.5								3.6*	3.6*	4.6			6.0			5.8*	5.8*				2.9*	2.9*	5.8			4.5	8.3*	8.3*	6.3*	6.3*	4.2	5.3*		2.7*	2.7*	6.7		3.0	10.5*	10.5*	6.3	7.1*	4.2	5.5*		2.7*	2.7*	7.2		1.5	11.2	11.3*	6.2	7.8*	4.0	5.8*		2.8	2.9*		7.3		0	11.4	12.4*	6.4	7.9*	3.9	5.9*		2.8			3.2*	7.1	-1.5	11.7	12.7*	6.0	8.2*	3.7	5.5*		3.2		3.8*	6.6	-3.0	11.4	12.4*	5.7	6.8*				3.8*	3.8*	5.4																																																																																																																																																																																																																																																																																																																																																																																																																																																											
	0	10.8	12.4*	6.0	7.9*	3.6	5.3		2.7	3.2*		7.1		-1.5	10.8	12.7*	5.6	8.2*	3.5	5.1		3.0		3.8*	6.6	-3.0	10.5	12.4*	5.3	6.8*				3.8*	3.8*	5.4	LC Blade down	7.5			5.8*	5.8*				3.5*	3.5*	4.3	LC Blade down		7.5								3.6*	3.6*	4.6			6.0			5.8*	5.8*				2.9*	2.9*	5.8			4.5	8.3*	8.3*	6.3*	6.3*	4.2	5.3*		2.7*	2.7*	6.7			3.0	10.5*	10.5*	6.3	7.1*	4.2	5.5*		2.7*	2.7*	7.2		1.5	11.2	11.3*	6.2	7.8*	4.0	5.8*		2.8	2.9*	7.3		0	11.4	12.4*	6.4	7.9*	3.9	5.9*		2.8	3.2*		7.1		-1.5	11.7	12.7*	6.0	8.2*	3.7	5.5*		3.2		3.8*	6.6	-3.0	11.4	12.4*	5.7	6.8*				3.8*	3.8*	5.4																																																																																																																																																																																																																																																																																																																																																																																																																																																																								
	-1.5	10.8	12.7*	5.6	8.2*	3.5	5.1		3.0	3.8*	6.6	-3.0		10.5	12.4*	5.3	6.8*				3.8*	3.8*	5.4	LC Blade down	7.5			5.8*	5.8*				3.5*	3.5*	4.3	LC Blade down		7.5								3.6*	3.6*	4.6			6.0			5.8*	5.8*				2.9*	2.9*	5.8			4.5	8.3*	8.3*	6.3*	6.3*	4.2	5.3*		2.7*	2.7*	6.7			3.0	10.5*	10.5*	6.3	7.1*	4.2	5.5*		2.7*	2.7*	7.2			1.5	11.2	11.3*	6.2	7.8*	4.0	5.8*		2.8	2.9*	7.3		0	11.4	12.4*	6.4	7.9*	3.9	5.9*		2.8	3.2*	7.1		-1.5	11.7	12.7*	6.0	8.2*	3.7	5.5*		3.2	3.8*	6.6	-3.0		11.4	12.4*	5.7	6.8*				3.8*	3.8*	5.4																																																																																																																																																																																																																																																																																																																																																																																																																																																																																					
-3.0	10.5	12.4*	5.3	6.8*				3.8*	3.8*	5.4	LC Blade down	7.5			5.8*	5.8*				3.5*	3.5*	4.3	LC Blade down		7.5								3.6*	3.6*	4.6			6.0			5.8*	5.8*				2.9*	2.9*	5.8			4.5	8.3*	8.3*	6.3*	6.3*	4.2	5.3*		2.7*	2.7*	6.7			3.0	10.5*	10.5*	6.3	7.1*	4.2	5.5*		2.7*	2.7*	7.2			1.5	11.2	11.3*	6.2	7.8*	4.0	5.8*		2.8	2.9*	7.3			0	11.4	12.4*	6.4	7.9*	3.9	5.9*		2.8	3.2*	7.1		-1.5	11.7	12.7*	6.0	8.2*	3.7	5.5*		3.2	3.8*	6.6	-3.0	11.4	12.4*	5.7	6.8*				3.8*	3.8*	5.4																																																																																																																																																																																																																																																																																																																																																																																																																																																																																																		
LC Blade down	7.5			5.8*	5.8*				3.5*	3.5*		4.3	LC Blade down	7.5								3.6*			3.6*	4.6	6.0			5.8*	5.8*				2.9*			2.9*	5.8	4.5	8.3*	8.3*	6.3*	6.3*	4.2	5.3*		2.7*			2.7*	6.7	3.0	10.5*	10.5*	6.3	7.1*	4.2	5.5*		2.7*			2.7*	7.2	1.5	11.2	11.3*	6.2	7.8*	4.0	5.8*		2.8			2.9*	7.3	0	11.4	12.4*	6.4	7.9*	3.9	5.9*		2.8		3.2*	7.1	-1.5	11.7	12.7*	6.0	8.2*	3.7	5.5*		3.2	3.8*	6.6	-3.0	11.4	12.4*	5.7	6.8*				3.8*	3.8*	5.4																																																																																																																																																																																																																																																																																																																																																																																																																																																																																																													
	6.0			5.8*	5.8*				2.9*	2.9*		5.8		4.5	8.3*	8.3*	6.3*	6.3*	4.2	5.3*		2.7*			2.7*	6.7	3.0	10.5*	10.5*	6.3	7.1*	4.2	5.5*		2.7*			2.7*	7.2	1.5	11.2	11.3*	6.2	7.8*	4.0	5.8*		2.8			2.9*	7.3	0	11.4	12.4*	6.4	7.9*	3.9	5.9*		2.8			3.2*	7.1	-1.5	11.7	12.7*	6.0	8.2*	3.7	5.5*		3.2		3.8*	6.6	-3.0	11.4	12.4*	5.7	6.8*				3.8*	3.8*	5.4																																																																																																																																																																																																																																																																																																																																																																																																																																																																																																																																					
	4.5	8.3*	8.3*	6.3*	6.3*	4.2	5.3*		2.7*	2.7*		6.7		3.0	10.5*	10.5*	6.3	7.1*	4.2	5.5*		2.7*			2.7*	7.2	1.5	11.2	11.3*	6.2	7.8*	4.0	5.8*		2.8			2.9*	7.3	0	11.4	12.4*	6.4	7.9*	3.9	5.9*		2.8			3.2*	7.1	-1.5	11.7	12.7*	6.0	8.2*	3.7	5.5*		3.2		3.8*	6.6	-3.0	11.4	12.4*	5.7	6.8*				3.8*	3.8*	5.4																																																																																																																																																																																																																																																																																																																																																																																																																																																																																																																																																		
	3.0	10.5*	10.5*	6.3	7.1*	4.2	5.5*		2.7*	2.7*		7.2		1.5	11.2	11.3*	6.2	7.8*	4.0	5.8*		2.8			2.9*	7.3	0	11.4	12.4*	6.4	7.9*	3.9	5.9*		2.8			3.2*	7.1	-1.5	11.7	12.7*	6.0	8.2*	3.7	5.5*		3.2		3.8*	6.6	-3.0	11.4	12.4*	5.7	6.8*				3.8*	3.8*	5.4																																																																																																																																																																																																																																																																																																																																																																																																																																																																																																																																																															
	1.5	11.2	11.3*	6.2	7.8*	4.0	5.8*		2.8	2.9*		7.3		0	11.4	12.4*	6.4	7.9*	3.9	5.9*		2.8			3.2*	7.1	-1.5	11.7	12.7*	6.0	8.2*	3.7	5.5*		3.2		3.8*	6.6	-3.0	11.4	12.4*	5.7	6.8*				3.8*	3.8*	5.4																																																																																																																																																																																																																																																																																																																																																																																																																																																																																																																																																																												
	0	11.4	12.4*	6.4	7.9*	3.9	5.9*		2.8	3.2*		7.1		-1.5	11.7	12.7*	6.0	8.2*	3.7	5.5*		3.2		3.8*	6.6	-3.0	11.4	12.4*	5.7	6.8*				3.8*	3.8*	5.4																																																																																																																																																																																																																																																																																																																																																																																																																																																																																																																																																																																									
	-1.5	11.7	12.7*	6.0	8.2*	3.7	5.5*		3.2	3.8*	6.6	-3.0		11.4	12.4*	5.7	6.8*				3.8*	3.8*	5.4																																																																																																																																																																																																																																																																																																																																																																																																																																																																																																																																																																																																						
-3.0	11.4	12.4*	5.7	6.8*				3.8*	3.8*	5.4																																																																																																																																																																																																																																																																																																																																																																																																																																																																																																																																																																																																																			

Height Can be slewed through 360° In longitudinal position of undercarriage Max. reach * Limited by hydr. capacity

The load values are quoted in tons (t) at stick end (without bucket), and may be swung 360° on firm and even ground. Adjacent values are valid for the undercarriage when in the longitudinal position. Capacities are valid for 600 mm wide track pads with adjusting cylinder in optimal position. Indicated loads are based on ISO 10567 standard and do not exceed 75% of tipping or 87% of hydraulic capacity (indicated via *). Without bucket cylinder, link and lever the lift capacities will increase by 230 kg. Lifting capacity of the excavator is limited by machine stability and hydraulic capacity. According to European Standard, EN 474-5: In the European Union excavators have to be equipped with an overload warning device, a load diagram and automatic safety check valves on hoist cylinders and stick cylinder(s), when they are used for lifting operations which require the use of lifting accessories.

1) Values are calculated with 500 mm wide track pads for the NLC-Undercarriage

Stick 2.65 m

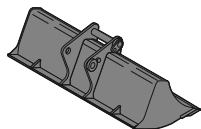
Under-carriage	3.0 m		4.5 m		6.0 m		7.5 m		Max. reach		m	
	↕											
NLC ¹⁾	7.5			4.2*	4.2*				2.8*	2.8*	4.9	
	6.0			5.2	5.4*	3.1	3.8*		2.4*	2.4*	6.3	
	4.5	6.0*	6.0*	5.1	5.9*	3.2	5.0*		2.2	2.3*	7.1	
	3.0	8.9	10.3*	4.9	6.8*	3.2	5.2	2.0	2.9*	1.9	2.2*	7.6
	1.5	8.6	11.2*	4.9	7.6*	3.1	5.2	1.9	3.5	1.8	2.3*	7.7
	0	8.7	12.1*	4.8	7.7	2.9	5.1	1.8	2.9*	1.8	2.6*	7.5
	-1.5	8.3	12.5*	4.5	8.0	2.7	4.9			2.0	3.0*	7.0
-3.0	8.1	13.1*	4.1	7.7*	2.6	3.7*			2.5	3.4*	6.1	
NLC ¹⁾ Blade up	7.5			4.2*	4.2*				2.8*	2.8*	4.9	
	6.0			5.4*	5.4*	3.4	3.8*		2.4*	2.4*	6.3	
	4.5	6.0*	6.0*	5.4	5.9*	3.5	5.0*		2.3*	2.3*	7.1	
	3.0	9.4	10.3*	5.2	6.8*	3.5	5.3	2.2	2.9*	2.1	2.2*	7.6
	1.5	9.1	11.2*	5.2	7.6*	3.3	5.3	2.1	3.6	2.0	2.3*	7.7
	0	9.2	12.1*	5.1	7.8	3.2	5.2	2.0	2.9*	2.0	2.6*	7.5
	-1.5	8.9	12.5*	4.9	8.0	2.9	5.0			2.2	3.0*	7.0
-3.0	8.7	13.1*	4.5	7.7*	2.8	3.7*			2.8	3.4*	6.1	
NLC ¹⁾ Blade down	7.5			4.2*	4.2*				2.8*	2.8*	4.9	
	6.0			5.4*	5.4*	3.5	3.8*		2.4*	2.4*	6.3	
	4.5	6.0*	6.0*	5.6	5.9*	3.6	5.0*		2.3*	2.3*	7.1	
	3.0	9.8	10.3*	5.4	6.8*	3.6	5.3*	2.3	2.9*	2.2	2.2*	7.6
	1.5	9.5	11.2*	5.4	7.6*	3.5	5.6*	2.2	4.0*	2.1	2.3*	7.7
	0	9.6	12.1*	5.4	7.8*	3.3	5.7*	2.1	2.9*	2.1	2.6*	7.5
	-1.5	9.4	12.5*	5.1	8.0*	3.1	5.8*			2.3	3.0*	7.0
-3.0	9.2	13.1*	4.7	7.7*	3.0	3.7*			2.9	3.4*	6.1	
LC	7.5			4.2*	4.2*				2.8*	2.8*	4.9	
	6.0			5.4*	5.4*	3.6	3.8*		2.4*	2.4*	6.3	
	4.5	6.0*	6.0*	5.8	5.9*	3.7	5.0*		2.3*	2.3*	7.1	
	3.0	10.2	10.3*	5.6	6.8*	3.7	5.3	2.3	2.9*	2.2*	2.2*	7.6
	1.5	9.9	11.2*	5.5	7.6*	3.6	5.3	2.3	3.6	2.2	2.3*	7.7
	0	10.0	12.1*	5.6	7.8	3.4	5.2	2.2	2.9*	2.2	2.6*	7.5
	-1.5	10.0	12.5*	5.3	8.0	3.2	5.0			2.4	3.0*	7.0
-3.0	9.8	13.1*	4.9	7.7*	3.1	3.7*			3.0	3.4*	6.1	
LC Blade up	7.5			4.2*	4.2*				2.8*	2.8*	4.9	
	6.0			5.4*	5.4*	3.8*	3.8*		2.4*	2.4*	6.3	
	4.5	6.0*	6.0*	5.9*	5.9*	4.0	5.0*		2.3*	2.3*	7.1	
	3.0	10.3*	10.3*	6.0	6.8*	4.0	5.3*	2.6	2.9*	2.2*	2.2*	7.6
	1.5	10.5	11.2*	5.9	7.6*	3.9	5.3	2.5	3.7	2.3*	2.3*	7.7
	0	10.6	12.1*	6.0	7.8*	3.7	5.3	2.4	2.9*	2.4	2.6*	7.5
	-1.5	10.8	12.5*	5.7	8.0*	3.5	5.1			2.7	3.0*	7.0
-3.0	10.6	13.1*	5.3	7.7*	3.4	3.7*			3.3	3.4*	6.1	
LC Blade down	7.5			4.2*	4.2*				2.8*	2.8*	4.9	
	6.0			5.4*	5.4*	3.8*	3.8*		2.4*	2.4*	6.3	
	4.5	6.0*	6.0*	5.9*	5.9*	4.2	5.0*		2.3*	2.3*	7.1	
	3.0	10.3*	10.3*	6.3	6.8*	4.2	5.3*	2.7	2.9*	2.2*	2.2*	7.6
	1.5	11.1	11.2*	6.2	7.6*	4.1	5.6*	2.7	4.0*	2.3*	2.3*	7.7
	0	11.2	12.1*	6.2	7.8*	3.9	5.7*	2.6	2.9*	2.6*	2.6*	7.5
	-1.5	11.7	12.5*	6.1	8.0*	3.7	5.8*			2.8	3.0*	7.0
-3.0	11.5	13.1*	5.7	7.7*	3.6	3.7*			3.4*	3.4*	6.1	

Height
 Can be slewed through 360°
 In longitudinal position of undercarriage
 Max. reach
 * Limited by hydr. capacity

The load values are quoted in tons (t) at stick end (without bucket), and may be swung 360° on firm and even ground. Adjacent values are valid for the undercarriage when in the longitudinal position. Capacities are valid for 600 mm wide track pads with adjusting cylinder in optimal position. Indicated loads are based on ISO 10567 standard and do not exceed 75% of tipping or 87% of hydraulic capacity (indicated via *). Without bucket cylinder, link and lever the lift capacities will increase by 230 kg. Lifting capacity of the excavator is limited by machine stability and hydraulic capacity. According to European Standard, EN 474-5: In the European Union excavators have to be equipped with an overload warning device, a load diagram and automatic safety check valves on hoist cylinders and stick cylinder(s), when they are used for lifting operations which require the use of lifting accessories.

¹⁾ Values are calculated with 500 mm wide track pads for the NLC-Undercarriage

Available Attachments



Rigid Ditch Cleaning Bucket

GRL 90, for direct mounting

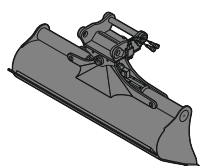
Cutting width	mm	1,500	2,000	2,000		
Capacity	m ³	0.35	0.48	0.65		
Weight	kg	275	350	390		

GRL 90, for mounting to quick coupler SWA 33

Cutting width	mm	1,500	2,000	2,000		
Capacity	m ³	0.50	0.48	0.65		
Weight	kg	360	350	390		

GRL 90, for mounting to quick coupler SWA 48

Cutting width	mm	1,500	1,500	2,000	2,400	2,400
Capacity	m ³	0.50	0.95	0.70	0.85	1.15
Weight	kg	430	560	400	600	650



Tiltable Ditch Cleaning Bucket

GRL 90, 2 x 50° tiltable, for direct mounting

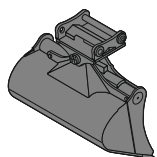
Cutting width	mm	1,600	1,600	2,000	2,000	2,200	2,400
Capacity	m ³	0.55	0.80	0.50	0.70	0.80	0.85
Weight	kg	640	770	650	790	800	850

GRL 90, 2 x 50° tiltable, for mounting to quick coupler SWA 33

Cutting width	mm	1,600	1,600	2,000	2,000	2,000	2,200
Capacity	m ³	0.55	0.80	0.50	0.70	1.00	0.80
Weight	kg	650	770	660	780	880	800

GRL 90, 2 x 50° tiltable, for mounting to quick coupler SWA 48

Cutting width	mm	1,600	1,600	2,000	2,000	2,000	2,200	2,400
Capacity	m ³	0.55	0.80	0.50	0.70	1.00	0.80	0.85
Weight	kg	730	850	740	870	940	870	930



Tilt Bucket

SL 90, 2 x 50° tiltable, for direct mounting

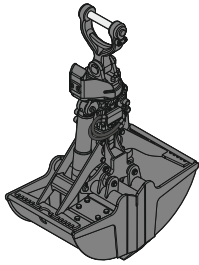
Cutting width	mm	1,500	1,600			
Capacity	m ³	0.60	0.80			
Weight	kg	650	740			

SL 90, 2 x 50° tiltable, for mounting to quick coupler SWA 33

Cutting width	mm	1,500	1,600	1,600		
Capacity	m ³	0.60	0.80	1.00		
Weight	kg	660	740	740		

SL 90, 2 x 50° tiltable, for mounting to quick coupler SWA 48

Cutting width	mm	1,500	1,600	1,600	1,600	1,600
Capacity	m ³	1.20	0.80	0.60	1.00	1.00
Weight	kg	870	820	950	870	1,000
HD-version		X		X		X



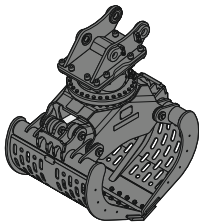
Clamshells

GMZ 22, earthmoving shell, for mounting to quick coupler SWA 33

Cutting width	mm	600	800	1,000
Capacity	m ³	0.30	0.42	0.54
Weight	kg	860	930	1,000

GMZ 24, earthmoving shell, for mounting to quick coupler SWA 48

Cutting width	mm	600	800	1,000
Capacity	m ³	0.34	0.46	0.60
Weight	kg	890	970	1,040



Sorting Grab

ribbed

perforated

closed

stone tong

SG 20B, for mounting to quick coupler SWA 33

Cutting width	mm				800	1,000	1,200	800	1,000	1,200	
Capacity	m ³				0.40	0.50	0.60	0.40	0.50	0.60	
Weight	kg				750	795	840	765	810	850	

SG 20B, for mounting to quick coupler SWA 48

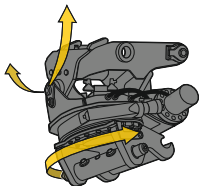
Cutting width	mm				800	1,000	1,200	800	1,000	1,200	
Capacity	m ³				0.40	0.50	0.60	0.40	0.50	0.60	
Weight	kg				750	795	840	765	810	850	

SG 25, for mounting to quick coupler SWA 33

Cutting width	mm	800	1,000	1,200	800	1,000	1,200	800	1,000	1,200	800
Capacity	m ³	0.50	0.65	0.80	0.55	0.75	0.90	0.55	0.75	0.90	0.55
Weight	kg	1,225	1,310	1,400	1,180	1,245	1,310	1,200	1,270	1,340	1,365

SG 25, for mounting to quick coupler SWA 48

Cutting width	mm	800	1,000	1,200	800	1,000	1,200	800	1,000	1,200	800
Capacity	m ³	0.50	0.65	0.80	0.55	0.75	0.90	0.55	0.75	0.90	0.55
Weight	kg	1,225	1,310	1,400	1,180	1,245	1,310	1,200	1,270	1,340	1,365



Tiltrotator

LH-TR 20, for mounting to quick coupler SWA 33

Weight	kg	470
Rotation		360°
Tilt		2 x 50°

Serial Equipment

Undercarriage

- Lashing eyes
- Sprocket with dirt ejector
- Track and carrier rollers, sealed and lifetime-lubricated

Uppercarriage

- Anti-skid surfaces
- Centralised lubrication system (automatic)
- Engine hood with gas spring opening
- Filters accessible from ground level
- Front right rearview mirrors
- Handrails
- Hydraulic oil level, visible from ground level
- Lockable fuel tank cap
- Lockable service doors
- Lockable storage box
- Main switch, manual, lockable
- Protection grid on radiator fan
- Sound insulation
- Swing drive gearbox oil level, visible from the cab
- Swing-out fan
- Windshield washer fluid tank

Hydraulic System

- Filter with integrated fine filters
- Hydraulic pressure measuring ports
- Hydraulic tank shut-off valve
- Liebherr Synchron Comfort System (LSC)
- Magnetic rod
- Pressure accumulator for controlled lowering of equipment with engine turned off

Engine

- Air filter with automatic dust ejector
- Automatic engine idling / speed increase, controlled via joystick sensors
- Common-Rail injection system
- Exhaust gas after-treatment system – DOC + DPF + SCR
- Fixed geometry turbocharger
- Fuel fine filter
- Fuel pre-filter and water separator
- Fuel priming pump
- Intercooler
- Power Pack EU Stage V
- Stepless adjustable engine speed

Operator's Cab

- 7" multifunction colour touchscreen
- Air conditioning, automatic, tri-zone, controlled via display
- Armrests adjustable in width, height and inclination
- Bottle holder
- Cab air filters housing, accessible from ground level
- Cab door sliding windows
- Coat hook
- DEF consumption on touchscreen
- DEF level on touchscreen
- Electric socket in cabin (12 V)
- Electric socket in cabin (24 V)
- Emergency hammer
- Fuel consumption on touchscreen
- Fuel level on touchscreen
- Impact resistant roof window
- Interior lighting
- Laminated right hand side window
- LIDAT Plus (Liebherr data transfer system) *
- Mechanical hour meters, visible from ground level
- Rain hood over front window opening
- Rearview mirror
- Rear view monitoring camera
- Rear window emergency exit
- Roll-down sun blinds for windscreen and roof window
- ROPS safety cab structure (ISO 12117-2)
- Rubber floor mat, fixed on floor and removable
- Shortcut button on joystick configurable
- Storage nets
- Storage spaces
- Tilttable console left
- Tinted windows
- Visco-elastic damping
- Windscreen wiper and washer
- Work mode selector

Equipment

- Boom cylinders regeneration
- Pipe fracture safety valve for stick cylinder
- Pipe fracture safety valves for boom cylinders
- SAE split flanges on high pressure lines
- Stick cylinder regeneration

* optionally extendable after one year

Equipment Standard/Option

Undercarriage

Chain guide 1 piece	•
Chain guide 3 pieces	+
Dozer and stabilizer blade 2,500 mm	+
Dozer and stabilizer blade 2,600 mm	+
Dozer and stabilizer blade 2,850 mm	+
Dozer and stabilizer blade 3,000 mm	+
Reinforced cover and base plate for undercarriage centre section	+
Rubber track pads 600 mm	+
Special painting	+
Standard cover plate for undercarriage centre section	•
Steps	•
Steps wide	+
Track pads triple grouser 500/750/900 mm	+
Track pads triple grouser 600 mm	•
Tracks, sealed and greased	•
Undercarriage LC	+
Undercarriage NLC	+
Undercarriage storage compartment	+

Uppercarriage

Air pre-filter with cyclonical dust trap	+
Counterweight standard 3.9 t	•
Electric socket on uppercarriage (24 V)	+
Extended tool set including tool box	+
Flashing beacon on uppercarriage, rear, LED, 1 piece	+
Fuel anti-theft protection	+
Headlight on uppercarriage, lateral right, LED+, 1 piece	+1)
Headlights on uppercarriage, front, halogen, 2 pieces, protections included	•1)
Headlights on uppercarriage, front, LED+, 2 pieces, protections included	+1)
Headlights on uppercarriage, rear, LED+, 2 pieces	+1)
Pre-heating system for fuel	+
Reflective warning stickers	+
Reversible fan drive	+
Skyview 360°	+
Special painting	+
Tank refilling pump fuel	+
Tool set including storage case	•



Hydraulic System

Bypass filter for hydraulic oil	+
Liebherr hydraulic oil	•
Liebherr hydraulic oil, adapted for extreme climate conditions	+
Liebherr hydraulic oil, biodegradable	+



Engine

Automatic engine shutdown after idling	+
--	---

Equipment Standard/Option



Operator's Cab

2" seat belt with retractor	•
3" seat belt with retractor, orange colour	+
4-points seat belt	+
Acoustic travel alarm deactivatable	+
Attachment continuous operation system	+
Auxiliary heater programmable	+
Bottom windscreen wiper	+
Cool box (12 V)	+
Dark tinted windows	+
Electronic immobiliser	+
Emergency stop in cab	+
FGPS front guard	+
Filter for hydraulic hammer return flow	+
Fire extinguisher	+
First-aid box	+
Flashing beacon on cabin, LED, 1 piece	+
Footrest	+
FOPS top guard	+
Handrests elevated for joysticks	+
Headlights on cab, front, halogen, 2 pieces	• ¹⁾
Headlights on cab, front, LED+, 2 pieces	+ ¹⁾
Headlights on cab roof, front, LED+, 2 pieces	+ ¹⁾
High pressure circuit switchable on pedals or mini-joystick	+
High pressure circuit with Tool Control (20 attachment adjustments on display)	+
Impact resistant one-piece windscreen	+
Lightbar on cabin	+
Medium pressure circuit	+
Mini-joysticks proportional	+
Movement restriction for stick	+
Operator seat Comfort	•
Operator seat Premium	+
Overload warning system	+
Preparation for machine guidance system	+
Radio Comfort	+
Radio pre-installation	•
Retractable laminated two-piece windscreen	•
Right hand side view monitoring camera	•
Roof sun shield	+
Roof window wiper	+
Special painting	+
Sun visor	+
Switch between high pressure and bucket cylinder controls	+
Windscreen bottom protection grid	+



Equipment

Bucket cylinder rod protection	+
Centralised lubrication extended for connecting link	+
Centralised lubrication extended for quick coupler	+
Grapple hydraulic lines (bucket cylinder inactive)	+
Headlight guards on boom	+
Headlights on boom, halogen, 2 pieces	• ¹⁾
Headlights on boom, LED+, 2 pieces	+ ¹⁾
Headlights on stick, right and left, LED+, 2 pieces, protections included	+ ¹⁾
Leak oil line for attachment	+
Liebherr bucket range	+
Liebherr tooth system	+
LIKUFIX electric signal plug	+
LIKUFIX for quick coupler SWA 33 hydraulic	+
LIKUFIX for quick coupler SWA 48 hydraulic	+
Load holding valve for bucket cylinder	+
Mono boom 5.00 m	+
Mono boom offset 4.90 m	+
Quick coupler SWA 33 hydraulic	+
Quick coupler SWA 33 mechanical	+
Quick coupler SWA 48 hydraulic	+
Quick coupler SWA 48 mechanical	+
Security for hoist cylinders	+
Special painting	+
Stick 2.25 m	+
Stick 2.45 m	+
Stick 2.65 m	+
Stick bottom protection	+
Tool Management	+
Two-piece boom 5.30 m	+
Two-piece boom offset 5.00 m	+
Working envelope height limitation	+

• = Standard, + = Option

¹⁾ Equipment not individually available, but only as predefined lighting packages
Non-exhaustive list, please contact us for further information.

Options and/or special equipments, supplied by vendors other than Liebherr, are only to be installed with the knowledge and approval of Liebherr in order to retain warranty.

Liebherr-France SAS

2 avenue Joseph Rey, B.P. 90287, FR-68005 Colmar Cedex

☎ +33 389 21 30 30, Fax +33 389 21 37 93

www.liebherr.com, E-Mail: info.lfr@liebherr.com

www.facebook.com/LiebherrConstruction